



# INSTA-CHAIN™ The AUTOMATIC ICECHAIN

**VSI-001 - STANDARD FORM**  
(For most spring and air-ride suspensions)

**NOTES:** Please describe anything unusual about your suspension: ie: any obstructions within 36" of your axle.

Dealer: \_\_\_\_\_  
Dir. Contact: \_\_\_\_\_  
Customer: \_\_\_\_\_  
Cust. Contact: \_\_\_\_\_  
Address: \_\_\_\_\_  
City/ State/ Zip: \_\_\_\_\_  
Phone: \_\_\_\_\_ Fax: \_\_\_\_\_  
Email: \_\_\_\_\_  
P.O.# \_\_\_\_\_

6 Chain / 12 Chain

Copy and Fax this completed form to place your order at (801)-489-9797  
or Email to sales@insta-chain.com

## VEHICLE INFORMATION - Measure EACH Truck

Vehicle # \_\_\_\_\_ ; If you have multiple vehicles with the same specs as this one, please inform us of the **quantity** and **vehicle numbers** for each: \_\_\_\_\_

\*Chassis Make: \_\_\_\_\_ \*Model: \_\_\_\_\_ \*Year: \_\_\_\_\_

Axle Make: \_\_\_\_\_ Capacity: \_\_\_\_\_ Chassis is : Bare / Loaded

\*Suspension Make: \_\_\_\_\_ (SPRING / AIR-RIDE)

Torsion / Sway-bar: (IN FRONT / BEHIND / N/A) AXLE Offset Pumpkin: (Yes / No)

\*TIRE SIZE: \_\_\_\_\_

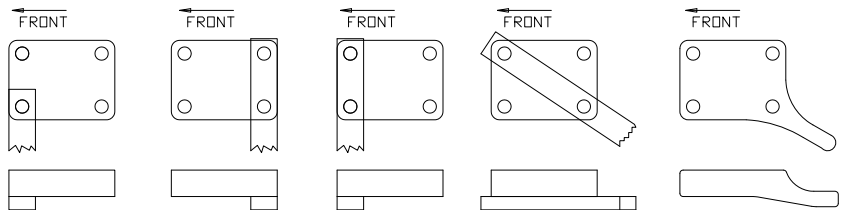
\*Axle: (SINGLE / TANDEM) **\*Are the Measurements from FRONT or REAR Tandem?**

\*Brake Cylinder: (IN FRONT / BEHIND / N/A) Axle Is there a Drive-Line Brake? YES / NO

Do you have: S-CAM BRAKES / DISC BRAKES / EX DISC BRAKES

Shocks: (IN FRONT / BEHIND / N/A) Axle - Shock Bracket mounted to BOTTOM of U-Bolt Plate? YES / NO

**If you have a Shock Bracket or Brake Can Bracket, please identify the style:**



**Please identify your U-bolt Plate Style:**

← FRONT OF TRUCK



**MEASUREMENTS MUST BE ACCURATE FOR BRACKETS TO FIT PROPERLY!!**

**INSTA-CHAIN RESERVES THE RIGHT TO DETERMINE AND ASSIGN THE BEST CHAIN UNIT AND BRACKET FOR THE VEHICLE'S APPLICATION**

\*This Order Form will work with most Spring and Air-Ride suspensions with Standard U-Bolts, if you have any other suspension please contact us for correct forms.

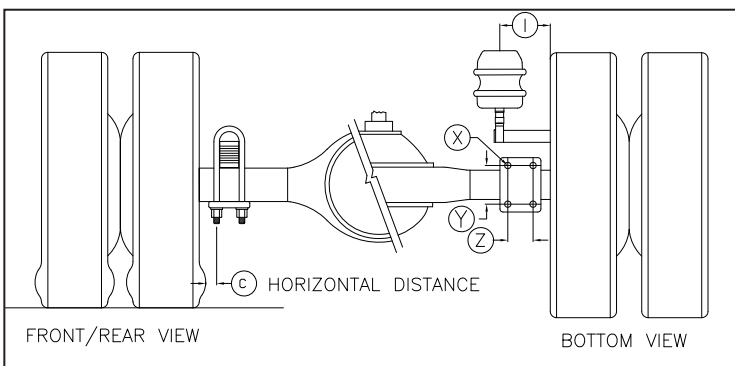
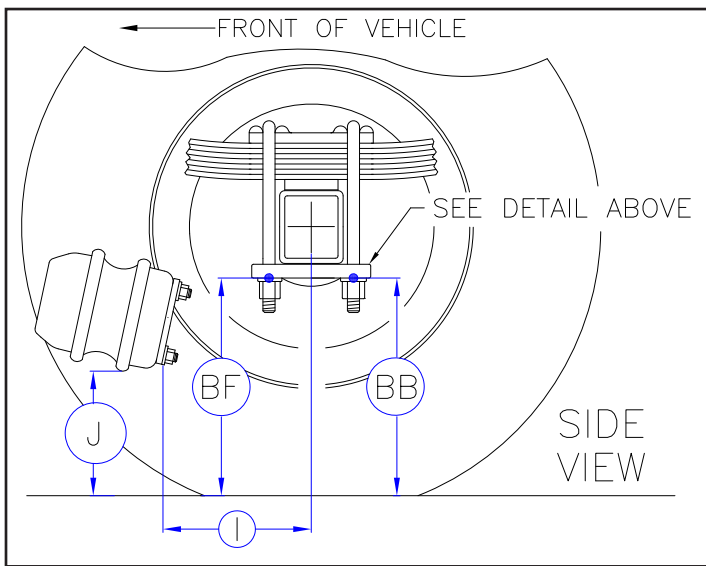
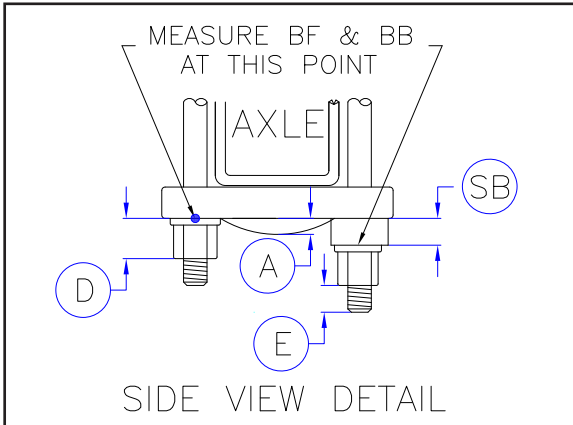


# INSTA-CHAIN™

The AUTOMATIC ICECHAIN

## VSI-001 - STANDARD FORM

(For most spring and air-ride suspensions)



Driver side / Pass Side

Depth of Round or Step on Bottom of the U-Bolt Plate      A= \_\_\_\_\_

(MEASURE BF & BB FROM SIDE OF U-BOLT PLATE WHERE THE U-BOLT NUT TOUCHES THE PLATE)

Height of Front:      BF= \_\_\_\_\_

Height of Back:      BB= \_\_\_\_\_

Sidewall Distance:      C= \_\_\_\_\_

Thickness of U-Bolt Nut:      D= \_\_\_\_\_

Remaining U-Bolt Thread:      E= \_\_\_\_\_

Shock Bracket thickness:      SB= \_\_\_\_\_

\*Bolt Diameter:      X= \_\_\_\_\_

\*STANDARD / METRIC - \*FINE / COARSE Thread

Front to Rear (center to center of U-Bolt):      Y= \_\_\_\_\_

Side to Side (center to center of U-Bolt):      Z= \_\_\_\_\_

Sidewall of tire to center of brake can:      I= \_\_\_\_\_

Lowest part of brake can assembly to ground: J= \_\_\_\_\_

Center of axle to nearest point of brake can:      K= \_\_\_\_\_

\*Fuel Tank: [IN FRONT / BEHIND / N/A] Axle \_\_\_\_\_

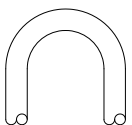
Center of axle to fuel tank (if behind axle):      L= \_\_\_\_\_

Distance to closest obstruction behind axle:      M= \_\_\_\_\_

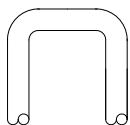
Width between the U-bolt legs      W= \_\_\_\_\_

Height of U-bolt from the inside of the curve to the bottom of the legs      H= \_\_\_\_\_

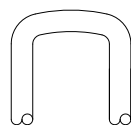
### Please identify your U-bolt Style:



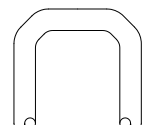
Round



Square



Semi-Round



Freightliner Square

### Current U-Bolt size:

