



INSTA-CHAIN™
The AUTOMATIC ICECHAIN

VSI – 002
Inverted U-Bolts / 1 Ton Chassis

995 S 1950 W Ste. B, Springville, UT 84663 - 800-633-0699 - 801-489-9000 - (fax) 801-489-9797 - www.insta-chain.com - traction@insta-chain.com

COPY AND FAX THIS FORM TO PLACE YOUR ORDER AT - (801) 489-9797

VEHICLE SUSPENSION INFORMATION FORM (VSI)

DEALER: _____ **PLEASE DESCRIBE ANYTHING UNUSUAL ABOUT**
DLR. CONTACT: _____ **YOUR SUSPENSION: (I.E. ANY OBSTRUCTION**
CUSTOMER: _____ **WITHIN 30 INCHES OF THE AXLE.)**
CUST. CONTACT: _____
ADDRESS: _____
CITY/ STATE/ ZIP: _____
PHONE: _____ **FAX:** _____
EMAIL: _____ **6 CHAIN / 12 CHAIN P.O.#** _____

PLEASE FILL OUT ALL INFORMATION ON FORM COMPLETELY OR WE MAY BE CALLING YOU TO GET IT DIRECTLY

Vehicle Make: _____ Model: _____ Year: _____

Chassis style: Type 1(Truck style), Type 2 (Van style), Type 3 (Cutaway)

Tire Size: _____ Single / Duals Length of Wheel Base: _____

Fuel Tank – REAR OF AXLE / IN FRONT OF AXLE – LEFT SIDE (MIDSHIP) / BOTH

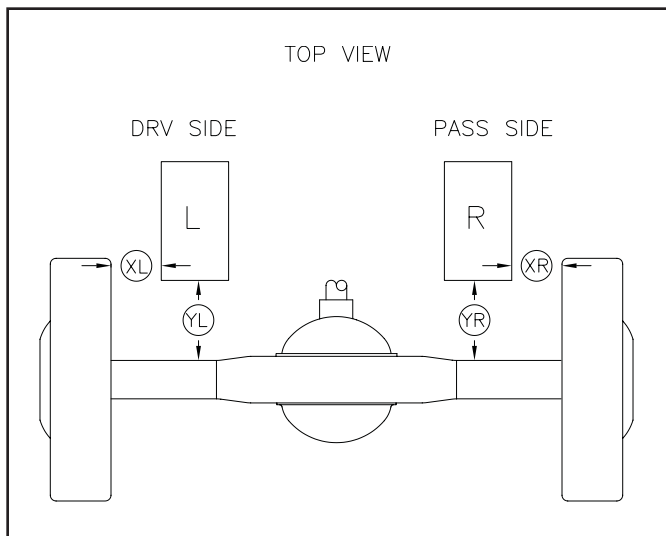
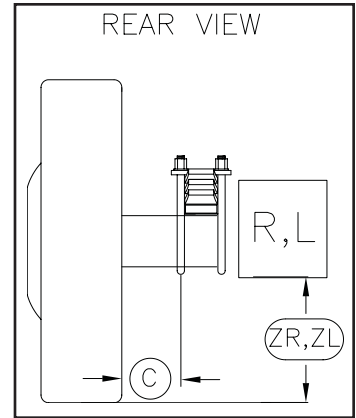
Swaybar: None / Legs of the Swaybar point to the FRONT / REAR of the truck

OEM or Aftermarket Bar - Lowest part of Swaybar to ground: _____

Note: If vehicle has a sway bar, it *may* be required to change to a rear mount bar.

Rear Brakes: Drum / Disc (Disc brakes in Front / Rear of the axle).

NOTE: Some vehicles may require exhaust modifications.



_____ **C** Horizontal distance between the outboard u-bolt and the bulge of the tire

If there are any obstructions within 30" of the front of the axle (including the muffler and a sway bar), please fill out the following information:

Driver Side

_____ **YL** Horizontal distance between the obstruction and the center of the axle

_____ **XL** Horizontal distance between the obstruction and the tire

_____ **ZL** Vertical distance between the obstruction and the ground

Passenger Side

_____ **YR** Horizontal distance between the obstruction and the center of the axle

_____ **XR** Horizontal distance between the obstruction and the tire

_____ **ZR** Vertical distance between the obstruction and the ground