



INSTA-CHAIN™
The AUTOMATIC ICECHAIN

VSI - 003
Hendrickson / Raydan
Walking Beam

995 S 1950 W Ste. B, Springville, UT 84663 - 800-633-0699 - 801-489-9000 - (fax) 801-489-9797 - www.insta-chain.com - traction@insta-chain.com

COPY AND FAX THIS FORM TO PLACE YOUR ORDER AT - (801) 489-9797
VEHICLE SUSPENSION INFORMATION FORM (VSI)

DEALER: _____ **PLEASE DESCRIBE ANYTHING UNUSUAL ABOUT**
DLR. CONTACT: _____ **YOUR SUSPENSION: (I.E. ANY OBSTRUCTION**
CUSTOMER: _____ **WITHIN 30 INCHES OF THE AXLE.)**
CUST. CONTACT: _____
ADDRESS: _____
CITY/ STATE/ ZIP: _____
PHONE: _____ **FAX:** _____
EMAIL: _____ **6 CHAIN / 12 CHAIN P.O.#** _____

PLEASE FILL OUT ALL INFORMATION ON FORM COMPLETELY OR WE MAY BE CALLING YOU TO GET IT DIRECTLY

Chassis Make: _____ Model: _____ Year: _____

Tire Size: _____ Suspension Make: Hendrickson / Raydan

Suspension Model: HN / RTE / RT-2 / HMX / AIRLINK

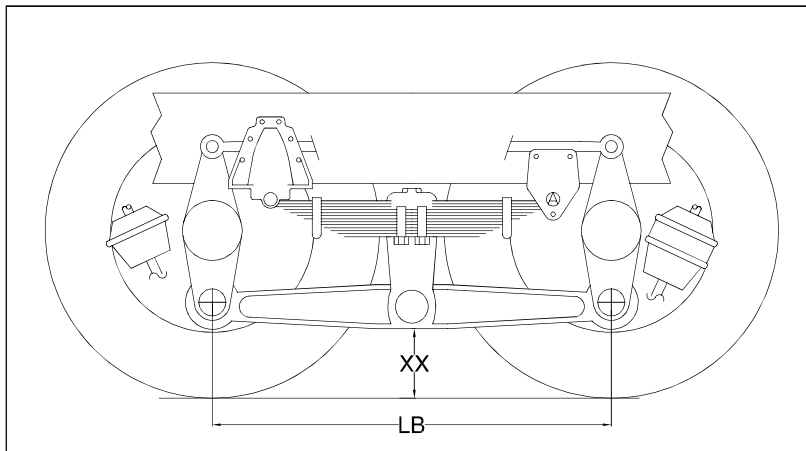
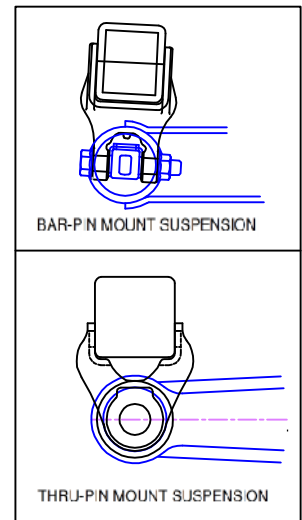
Thru-Pin Mount or Bar-Pin Mount Suspension?

Does the Beam have a Shock mounted to it? YES / NO

_____ LB Horizontal length of walking beam (center to center)

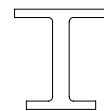
_____ XX Beam to Ground Forged or Fabricated Beam?

_____ SZ Axle Size (by weight)

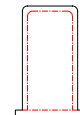


Suspension Models

RT-2 /
AIRLINK



HN
(shock on beam)
&
RTE (no shock)



HMX

