



**INSTA-CHAIN™**  
The AUTOMATIC ICECHAIN

**VSI – 004**  
**Ridewell 202 / 208**

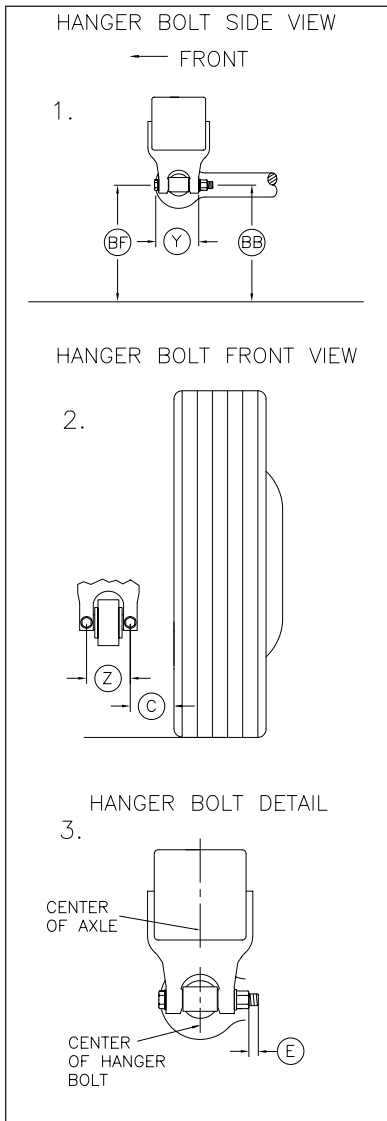
995 S 1950 W Ste. B, Springville, UT 84663 - 800-633-0699 - 801-489-9000 - (fax) 801-489-9797 - www.insta-chain.com - traction@insta-chain.com

**COPY AND FAX THIS FORM TO PLACE YOUR ORDER AT - (801) 489-9797**

**VEHICLE SUSPENSION INFORMATION FORM (VSI)**

**DEALER:** \_\_\_\_\_ **PLEASE DESCRIBE ANYTHING UNUSUAL ABOUT**  
**DLR. CONTACT:** \_\_\_\_\_ **YOUR SUSPENSION: (I.E. ANY OBSTRUCTION**  
**CUSTOMER:** \_\_\_\_\_ **WITHIN 30 INCHES OF THE AXLE.)**  
**CUST. CONTACT:** \_\_\_\_\_  
**ADDRESS:** \_\_\_\_\_  
**CITY/ STATE/ ZIP:** \_\_\_\_\_  
**PHONE:** \_\_\_\_\_ **FAX:** \_\_\_\_\_  
**EMAIL:** \_\_\_\_\_ **6 CHAIN / 12 CHAIN P.O.#** \_\_\_\_\_

PLEASE FILL OUT ALL INFORMATION ON FORM COMPLETELY OR WE MAY BE CALLING YOU TO GET IT DIRECTLY



\*Truck Model: \_\_\_\_\_ \*Year: \_\_\_\_\_

\*Tire Size: \_\_\_\_\_ \*Axle Size: \_\_\_\_\_

\*Suspension Model: \_\_\_\_\_

\*Do you have BAR-PIN (pictured) or THRU-PIN Mount Suspension?

**WHETHER YOU HAVE A BAR-PIN OR A THRU-PIN MOUNT SUSPENSION YOU WILL NEED TO FILL OUT FORM COMPLETELY.**

**A BAR-PIN MOUNT SUSPENSION (PICTURED) HAS TWO BOLTS RUNNING ALONG SIDE THE KNUCKLE OF THE SUSPENSION. A THRU-PIN MOUNT SUSPENSION (NOT PICTURED) DOES NOT HAVE THESE BOLTS, IT ONLY HAS A PIN THRU THE SUSPENSION THAT IS INCLOSED INSIDE THE KNUCKLE.**

- \_\_\_\_\_ BF Vertical distance from CENTER of the FRONT of the Hanger Bolt to the ground
- \_\_\_\_\_ BB Vertical distance from CENTER of the REAR of the Hanger Bolt to the ground
- \_\_\_\_\_ Y Horizontal distance BETWEEN the Head of the Hanger Bolt and the Nut
- \_\_\_\_\_ Length of Hanger Bolt
- \_\_\_\_\_ Z Horizontal distance between the centers of the Hanger Bolt Heads
- \_\_\_\_\_ C Horizontal distance between the center of the outside Hanger Bolt Head and the Bulge of the Tire.
- \_\_\_\_\_ E Remaining Thread Behind the Hanger Bolt Nut