



INSTA-CHAIN™
The AUTOMATIC ICECHAIN

VSI – 012
Brake Can Measurements

995 S 1950 W Ste. B, Springville, UT 84663 - 800-633-0699 - 801-489-9000 - (fax) 801-489-9797 - www.insta-chain.com - traction@insta-chain.com

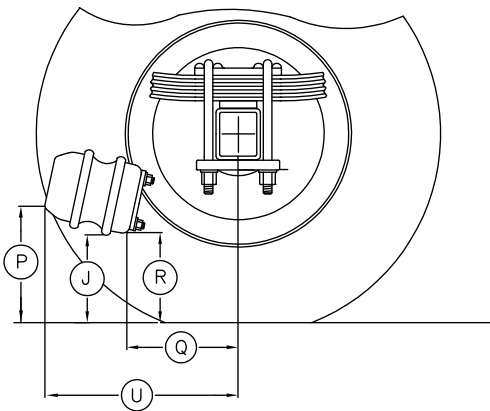
COPY AND FAX THIS FORM TO PLACE YOUR ORDER AT - (801) 489-9797

VEHICLE SUSPENSION INFORMATION FORM (VSI)

DEALER: _____ PLEASE DESCRIBE ANYTHING UNUSUAL ABOUT
 DLR. CONTACT: _____ YOUR SUSPENSION: (I.E. ANY OBSTRUCTION
 CUSTOMER: _____ WITHIN 30 INCHES OF THE AXLE.)
 CUST. CONTACT: _____
 ADDRESS: _____
 CITY/ STATE/ ZIP: _____
 PHONE: _____ FAX: _____
 EMAIL: _____ **6 CHAIN / 12 CHAIN P.O.#**

PLEASE FILL OUT ALL INFORMATION ON FORM COMPLETELY OR WE MAY BE CALLING YOU TO GET IT DIRECTLY

SIDE VIEW



____P Vertical distance from ground to farthest part of brake can

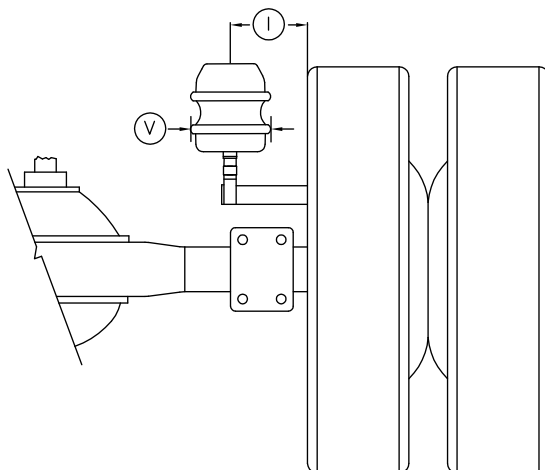
____J Vertical distance from ground to lowest part of brake can

____R Vertical distance from ground to nearest corner of brake can

____Q Horizontal distance from center of axle to nearest corner of brake can

____U Horizontal distance from center of axle to farthest corner of brake can

BOTTOM VIEW



____I Horizontal distance from center of brake can to inside edge of

____V Diameter of brake can