



**INSTA-CHAIN™**  
The AUTOMATIC ICECHAIN

**VSI - 015-A**

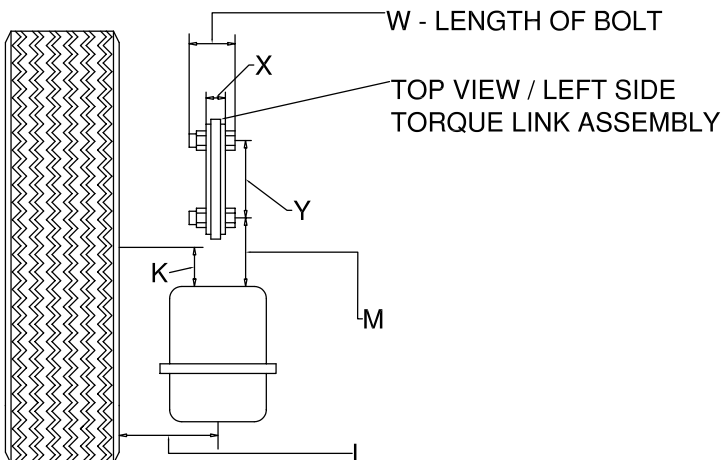
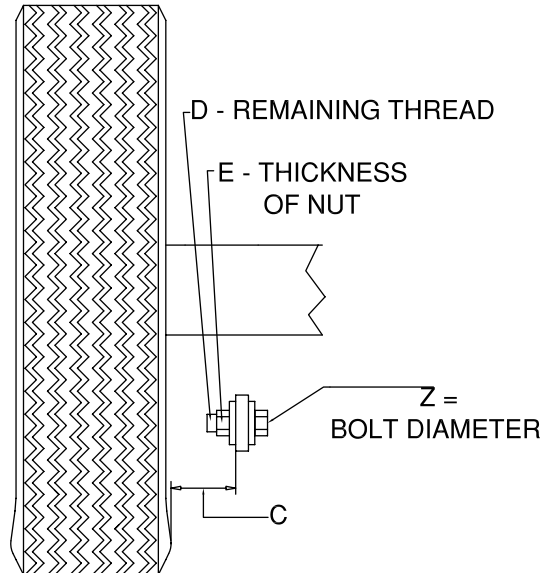
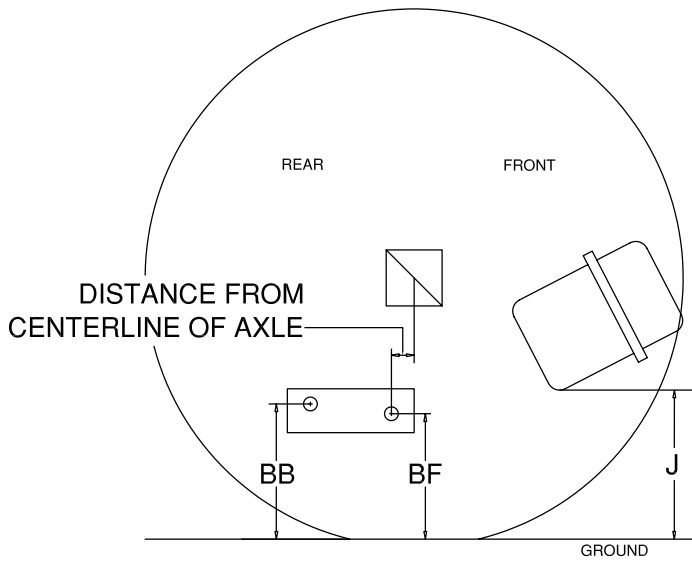
995 S 1950 W Ste. B, Springville, UT 84663 - 800-633-0699 - 801-489-9000 - (fax) 801-489-9797 - www.insta-chain.com - traction@insta-chain.com

**COPY AND FAX THIS FORM TO PLACE YOUR ORDER AT - (801) 489-9797**

**VEHICLE SUSPENSION INFORMATION FORM (VSI)**

**DEALER:** \_\_\_\_\_ **DLR. CONTACT:** \_\_\_\_\_  
**CUSTOMER:** \_\_\_\_\_ **CUST. CONTACT:** \_\_\_\_\_  
**ADDRESS:** \_\_\_\_\_ **EMAIL:** \_\_\_\_\_  
**CITY/ STATE/ ZIP:** \_\_\_\_\_ **FAX:** \_\_\_\_\_  
**PHONE:** \_\_\_\_\_ **6 CHAIN / 12 CHAIN P.O.#** \_\_\_\_\_

PLEASE FILL OUT ALL INFORMATION ON FORM COMPLETELY OR WE MAY BE CALLING YOU TO GET IT DIRECTLY



A - \_\_\_\_\_ BF - \_\_\_\_\_  
BB - \_\_\_\_\_ C - \_\_\_\_\_  
D - (Thickness of Nut) - \_\_\_\_\_  
E - (Remaining Thread) - \_\_\_\_\_  
I - \_\_\_\_\_ J - \_\_\_\_\_  
K - \_\_\_\_\_ W - \_\_\_\_\_  
X - (Bolt Diameter) - \_\_\_\_\_  
Y - \_\_\_\_\_ Z - \_\_\_\_\_