



INSTA-CHAIN™
The AUTOMATIC ICECHAIN

VSI-016 - MCI

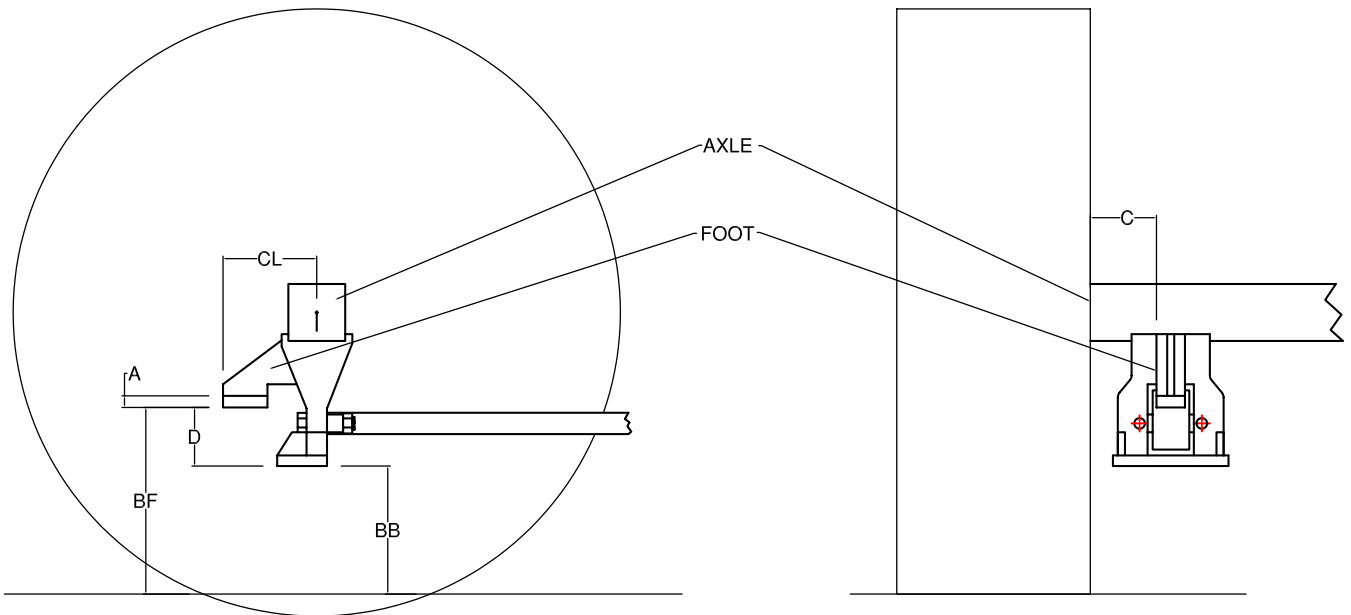
995 S 1950 W Ste. B, Springville, UT 84663 - 800-633-0699 - 801-489-9000 - (fax) 801-489-9797 - www.insta-chain.com - traction@insta-chain.com

COPY AND FAX THIS FORM TO PLACE YOUR ORDER AT - (801) 489-9797

VEHICLE SUSPENSION INFORMATION FORM (VSI)

DEALER: _____ **DLR. CONTACT:** _____
CUSTOMER: _____ **CUST. CONTACT:** _____
ADDRESS: _____ **EMAIL:** _____
CITY/ STATE/ ZIP: _____ **FAX:** _____
PHONE: _____ **6 CHAIN / 12 CHAIN** **P.O.#** _____

PLEASE FILL OUT ALL INFORMATION ON FORM COMPLETELY OR WE MAY BE CALLING YOU TO GET IT DIRECTLY



A - _____
 BF - _____
 BB - _____
 C - _____
 CL - _____
 D - _____