



**INSTA-CHAIN™**  
The AUTOMATIC ICECHAIN

VSI-020 - GILLIG Low Floor  
& High Floor Bus

995 S 1950 W Ste. B, Springville, UT 84663 - 800-633-0699 - 801-489-9000 - (fax) 801-489-9797 - www.insta-chain.com - traction@insta-chain.com

**COPY AND FAX THIS FORM TO PLACE YOUR ORDER AT - (801) 489-9797**

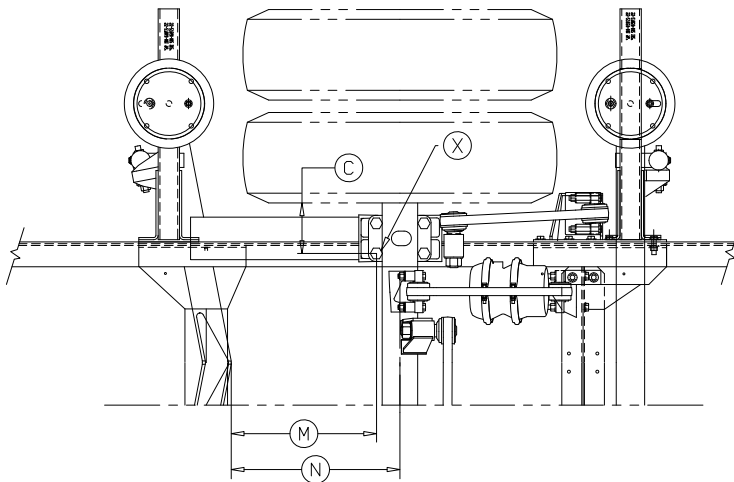
**VEHICLE SUSPENSION INFORMATION FORM (VSI)**

**DEALER:** \_\_\_\_\_ **DLR. CONTACT:** \_\_\_\_\_  
**CUSTOMER:** \_\_\_\_\_ **CUST. CONTACT:** \_\_\_\_\_  
**ADDRESS:** \_\_\_\_\_ **EMAIL:** \_\_\_\_\_  
**CITY/ STATE/ ZIP:** \_\_\_\_\_ **FAX:** \_\_\_\_\_  
**PHONE:** \_\_\_\_\_ **6 CHAIN / 12 CHAIN P.O.#** \_\_\_\_\_

PLEASE FILL OUT ALL INFORMATION ON FORM COMPLETELY OR WE MAY BE CALLING YOU TO GET IT DIRECTLY

TOP VIEW

FRONT OF BUS



Do you have a Gillig LOW FLOOR or HIGH FLOOR bus? \_\_\_\_\_

Tire Size - \_\_\_\_\_

What is the width of the Bus? 96" or 102" \_\_\_\_\_

Length of Bus - \_\_\_\_\_

**BF** - Height of Front Bolt \_\_\_\_\_

**BB** - Height of Rear Bolt \_\_\_\_\_

**BG** - Height of Beam to Ground \_\_\_\_\_

**C** - Side Wall of Tire to center of Inboard Bolt \_\_\_\_\_

**D** - Thickness of Nut \_\_\_\_\_

**E** - Remaining Thread \_\_\_\_\_

**X** - Bolt diameter \_\_\_\_\_

**M** - Center of closest Bolt to the nearest point of Rear Cross Beam \_\_\_\_\_

**N** - Centerline of Axle to the nearest point of Rear Cross Beam \_\_\_\_\_

SIDE VIEW

FRONT OF BUS

