



**INSTA-CHAIN™**  
The AUTOMATIC ICECHAIN

**VSI – 006**  
**Volvo T-Ride**

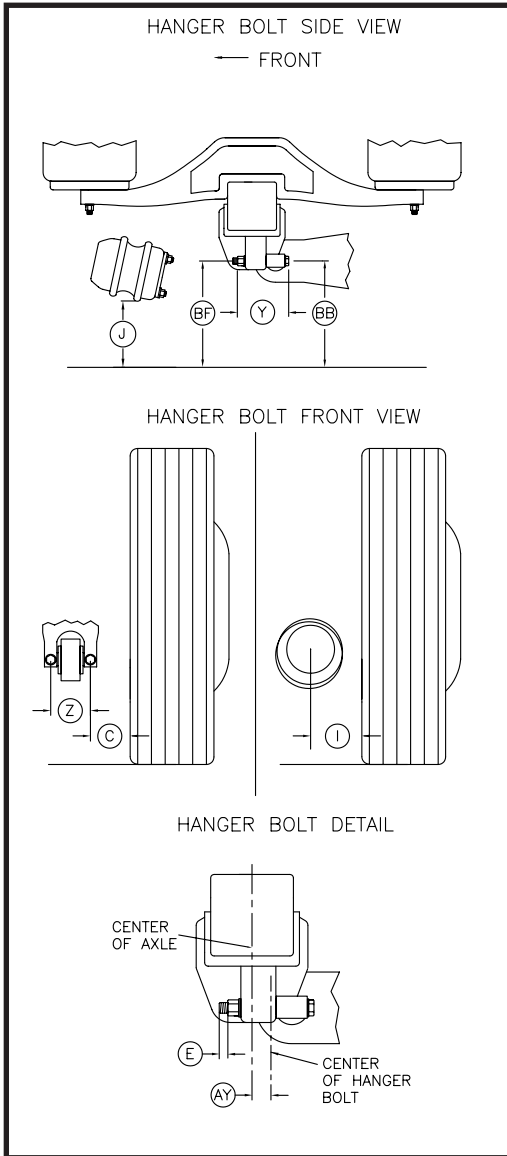
995 S 1950 W Ste. B, Springville, UT 84663 - 800-633-0699 - 801-489-9000 - (fax) 801-489-9797 - www.insta-chain.com - traction@insta-chain.com

**COPY AND FAX THIS FORM TO PLACE YOUR ORDER AT - (801) 489-9797**

**VEHICLE SUSPENSION INFORMATION FORM (VSI)**

**DEALER:** \_\_\_\_\_ **PLEASE DESCRIBE ANYTHING UNUSUAL ABOUT**  
**DLR. CONTACT:** \_\_\_\_\_ **YOUR SUSPENSION: (I.E. ANY OBSTRUCTION**  
**CUSTOMER:** \_\_\_\_\_ **WITHIN 30 INCHES OF THE AXLE.)**  
**CUST. CONTACT:** \_\_\_\_\_  
**ADDRESS:** \_\_\_\_\_  
**CITY/ STATE/ ZIP:** \_\_\_\_\_  
**PHONE:** \_\_\_\_\_ **FAX:** \_\_\_\_\_  
**EMAIL:** \_\_\_\_\_ **6 CHAIN / 12 CHAIN P.O.#** \_\_\_\_\_

PLEASE FILL OUT ALL INFORMATION ON FORM COMPLETELY OR WE MAY BE CALLING YOU TO GET IT DIRECTLY



Model: \_\_\_\_\_ Year: \_\_\_\_\_ Tire Size: \_\_\_\_\_

Susp. Make: \_\_\_\_\_ Susp. Model: \_\_\_\_\_

\_\_\_\_\_ BF - Vertical distance from center of Hanger Bolt to ground - towards FRONT of Vehicle

\_\_\_\_\_ BB - Vertical distance from center of Hanger Bolt to ground - towards REAR of Vehicle

\_\_\_\_\_ Y - Horizontal distance between Hanger Bolt head and Nut

\_\_\_\_\_ Z - Horizontal distance between centers of Hanger Bolt heads

\_\_\_\_\_ C - Horizontal distance between centers of Hanger Bolt closest to tire and bulge of tire

\_\_\_\_\_ E - Remaining thread behind Hanger Bolt Nut

YES / NO Is the center of the Hanger Bolt in line with the center of the axle?

\_\_\_\_\_ J - Lowest part of the Air Brake Can Assembly to the ground

\_\_\_\_\_ I - Sidewall of tire to the center of Brake Can

\_\_\_\_\_ Shocks Behind Axle?

Brakes IN FRONT / BEHIND Axle?

Measurements from FRONT or REAR Axle?