



INSTA-CHAIN™

The AUTOMATIC ICECHAIN

VSI-001 - STANDARD FORM
(For most spring and air-ride suspensions)

NOTES: Please describe anything unusual about your suspension: ie: any obstructions within 36" of your axle.

Dealer: _____
Dir. Contact: _____
Customer: _____
Cust. Contact: _____
Address: _____
City/ State/ Zip: _____
Phone: _____ Fax: _____
Email: _____
P.O.# _____

6 Chain / 12 Chain

Copy and Fax this completed form to place your order at (801)-489-9797
or Email to sales@insta-chain.com

VEHICLE INFORMATION - Measure EACH Truck

Vehicle # _____ ; If you have multiple vehicles with the same specs as this one, please inform us of the **quantity** and **vehicle numbers** for each: _____

*Chassis Make: _____ *Model: _____ *Year: _____

Axle Make: _____ Capacity: _____ Chassis is : Bare / Loaded

*Suspension Make: _____ (SPRING / AIR-RIDE)

Torsion / Sway-bar: (IN FRONT / BEHIND / N/A) AXLE Offset Pumpkin: (Yes / No)

*TIRE SIZE: _____

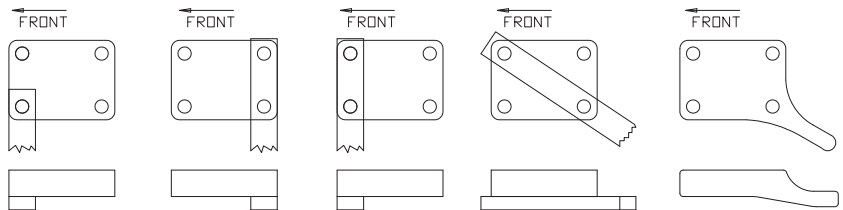
*Axle: (SINGLE / TANDEM) ***Are the Measurements from FRONT or REAR Tandem?**

*Brake Location: (IN FRONT / BEHIND / N/A) Axle Is there a Drive-Line Brake? YES / NO

Do you have: S-CAM BRAKES / DISC BRAKES / EX DISC BRAKES

Shocks: (IN FRONT / BEHIND / N/A) Axle - Shock Bracket mounted to BOTTOM of U-Bolt Plate? YES / NO

If you have a Shock Bracket or Brake Can Bracket, please identify the style:



Please identify your U-bolt Plate Style:

← FRONT OF TRUCK



MEASUREMENTS MUST BE ACCURATE FOR BRACKETS TO FIT PROPERLY!!

INSTA-CHAIN RESERVES THE RIGHT TO DETERMINE AND ASSIGN THE BEST CHAIN UNIT AND BRACKET FOR THE VEHICLE'S APPLICATION

*This Order Form will work with most Spring and Air-Ride suspensions with Standard U-Bolts, if you have any other suspension please contact us for correct forms.

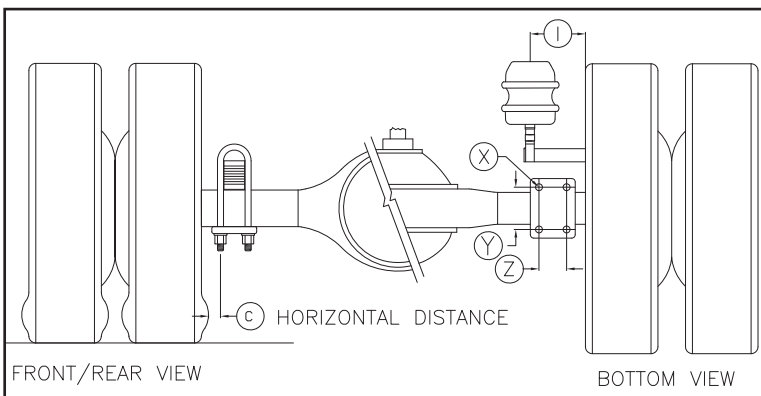
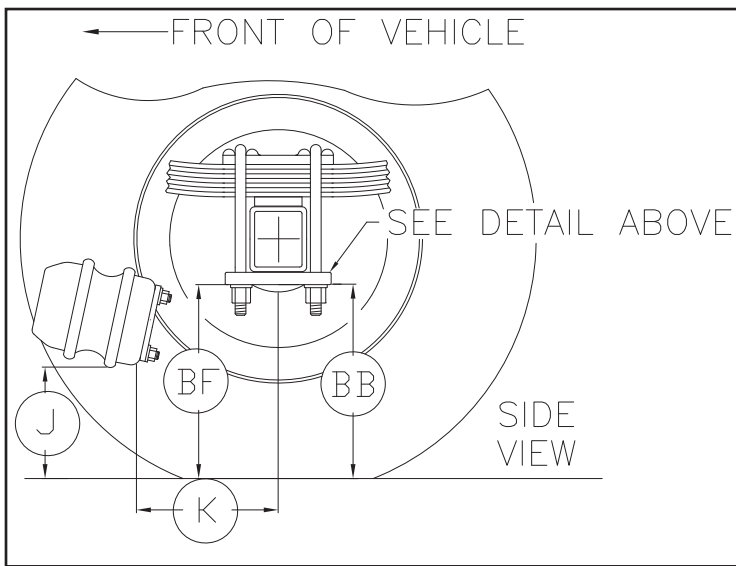
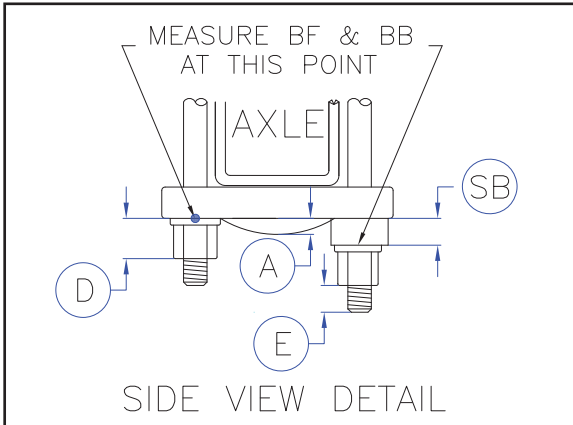


INSTA-CHAIN™

The AUTOMATIC ICECHAIN

VSI-001 - STANDARD FORM

(For most spring and air-ride suspensions)



Driver side / Pass Side

Depth of Round or Step on Bottom of the U-Bolt Plate A= _____

(MEASURE BF & BB FROM SIDE OF U-BOLT PLATE WHERE THE U-BOLT NUT TOUCHES THE PLATE)

Height of Front: BF= _____

Height of Back: BB= _____

Sidewall Distance: C= _____

Thickness of U-Bolt Nut: D= _____

Remaining U-Bolt Thread: E= _____

Shock Bracket thickness: SB= _____

*Bolt Diameter: X= _____

*STANDARD / METRIC - *FINE / COARSE Thread

Front to Rear (center to center of U-Bolt): Y= _____

Side to Side (center to center of U-Bolt): Z= _____

Sidewall of tire to center of brake can: I= _____

Lowest part of brake can assembly to ground: J= _____

Center of axle to nearest point of brake can: K= _____

*Fuel Tank: [IN FRONT / BEHIND / N/A] Axle _____

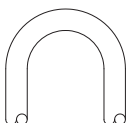
Center of axle to fuel tank (if behind axle): L= _____

Distance to closest obstruction behind axle: M= _____

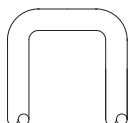
Width between the U-bolt legs W= _____

Height of U-bolt from the inside of the curve to the bottom of the legs H= _____

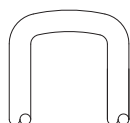
Please identify your U-bolt Style:



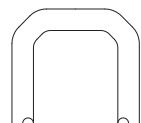
Round



Square



Semi-Round



Freightliner Square

Current U-Bolt size:

