



INSTA-CHAIN™
The AUTOMATIC ICECHAIN

VSI - 015-A
Ottawa /
Capacity Rigid

995 S 1950 W Ste. B, Springville, UT 84663 - 800-633-0699 - 801-489-9000 - (fax) 801-489-9797 - www.insta-chain.com - traction@insta-chain.com

COPY AND FAX THIS FORM TO PLACE YOUR ORDER AT - (801) 489-9797

VEHICLE SUSPENSION INFORMATION FORM (VSI)

DEALER: _____ DLR. CONTACT: _____
 CUSTOMER: _____ CUST. CONTACT: _____
 ADDRESS: _____ EMAIL: _____
 CITY/ STATE/ ZIP: _____ FAX: _____
 PHONE: _____ 6 CHAIN / 12 CHAIN P.O.# _____

PLEASE FILL OUT ALL INFORMATION ON FORM COMPLETELY OR WE MAY BE CALLING YOU TO GET IT DIRECTLY

REAR VIEW

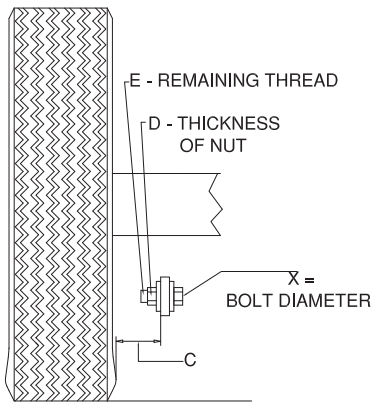


FIG-A

SIDE VIEW

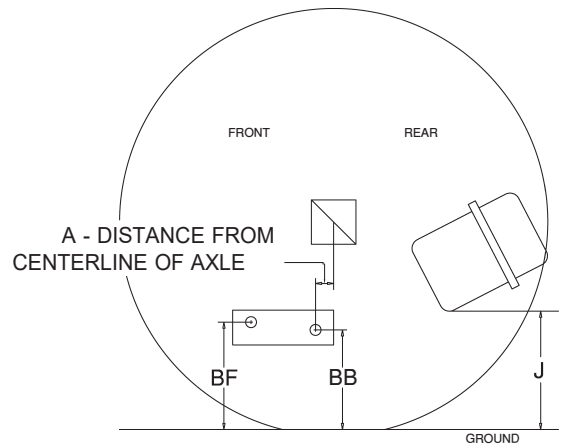


FIG-B

TOP VIEW

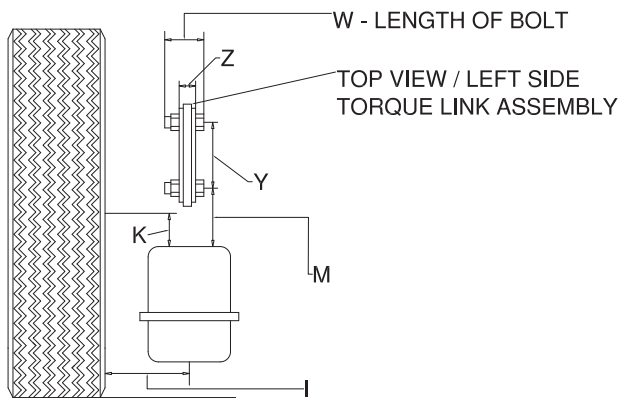


FIG-C

A - _____ BF - _____
 BB - _____ C - _____
 D - (Thickness of Nut) - _____
 E - (Remaining Thread) - _____
 I - _____ J - _____
 K - _____ W - _____
 X - (Bolt Diameter) - _____
 Y - _____ Z - _____
 M - _____