



# INSTA-CHAIN™

The AUTOMATIC ICECHAIN

## VSI-001 - STANDARD FORM

(For most spring and air-ride suspensions)

Dealer: \_\_\_\_\_  
Dealer Contact: \_\_\_\_\_  
Customer: \_\_\_\_\_  
Customer Contact: \_\_\_\_\_  
Address: \_\_\_\_\_  
City/State/Zip: \_\_\_\_\_  
Phone: \_\_\_\_\_ Fax: \_\_\_\_\_  
Email: \_\_\_\_\_  
PO#: \_\_\_\_\_

Number of Vehicles with these measurements: \_\_\_\_\_

Truck #'s or Last 8 of VIN	Mileage
_____	_____
_____	_____
_____	_____

Circle One:		Circle One:	
Standard Chain	Spark Resistant Chain	6 Chain	12 Chain

Email or Fax this completed form to place your order: [sales@insta-chain.com](mailto:sales@insta-chain.com) / 801-489-9797

### VEHICLE INFORMATION - Measure EACH Axle

**NOTES:** Please list anything unusual about your suspension or obstructions within 36" of your axle \_\_\_\_\_

Chassis Make: \_\_\_\_\_ Model: \_\_\_\_\_ Year: \_\_\_\_\_

Axle Make: \_\_\_\_\_ Capacity: \_\_\_\_\_

Suspension Make: \_\_\_\_\_ Suspension Model: \_\_\_\_\_ **SPRING / AIR RIDE**

Tire Size: \_\_\_\_\_

Torsion / Sway-bar: **IN FRONT OF AXLE / BEHIND AXLE / N/A** Offset Pumpkin: **YES / NO**

Fuel Tank: **IN FRONT OF AXLE / BEHIND AXLE / N/A** Chassis is: **BARE / LOADED**

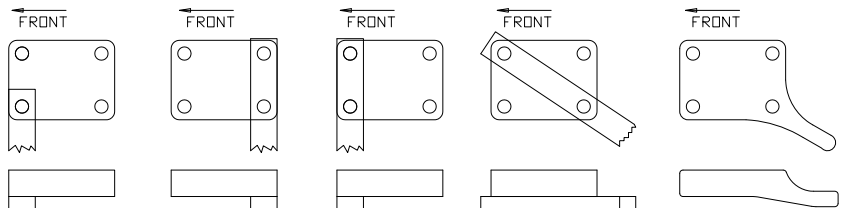
Axle Measured: **SINGLE / FRONT TANDEM DRIVE / REAR TANDEM DRIVE**

Brake Can Location: **IN FRONT OF AXLE / BEHIND AXLE / N/A** Does the truck have an APU? **YES / NO**

Brake Style: **S-CAM BRAKES / DISC BRAKES / EX DISC BRAKES** Is there a Drive-Line Brake? **YES / NO**

Shocks: **IN FRONT OF AXLE / BEHIND AXLE / N/A** Shock Bracket mounted to **BOTTOM** of U-Bolt Plate? **YES / NO**

If you have a Shock Bracket or Brake Can Bracket, please identify the style:



Please identify your U-bolt Plate Style:

← FRONT OF TRUCK



PLEASE CALL WITH ANY QUESTIONS: 800-633-0699

BRACKET DESIGNS ARE BASED ON THE ACCURACY OF YOUR MEASUREMENTS, PLEASE BE AS ACCURATE AS POSSIBLE.

INSTA-CHAIN RESERVES THE RIGHT TO ASSIGN THE BEST CHAIN UNIT AND BRACKET FOR THE APPLICATION.



# INSTA-CHAIN™

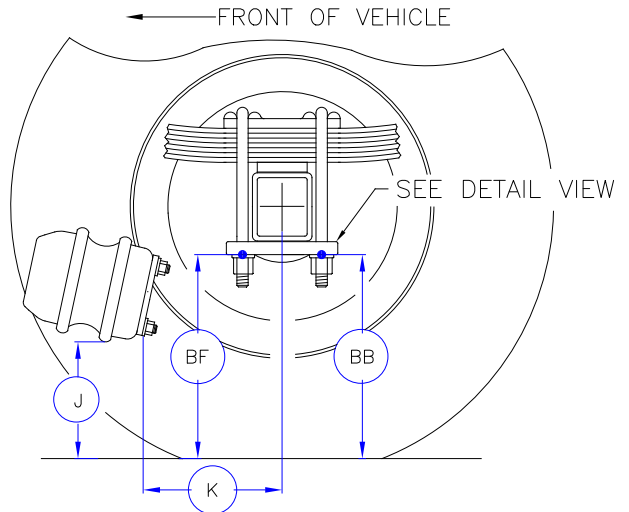
The AUTOMATIC ICECHAIN

## VSI-001 - STANDARD FORM

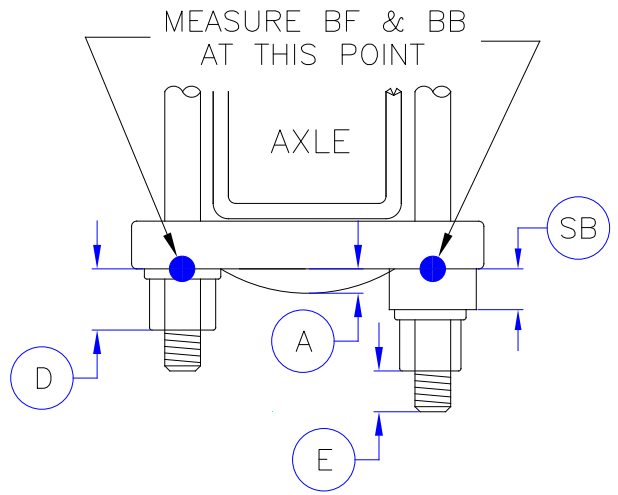
(For most spring and air-ride suspensions)

- \_\_\_\_\_ **BF** Height of front
- \_\_\_\_\_ **BB** Height of back
- \_\_\_\_\_ **J** Lowest part of brake can assembly to ground
- \_\_\_\_\_ **K** Center of axle to nearest point of brake can
- \_\_\_\_\_ **A** Depth of round or step on bottom of the U-Bolt plate
- \_\_\_\_\_ **D** Thickness of U-Bolt nut
- \_\_\_\_\_ **E** Remaining U-Bolt thread
- \_\_\_\_\_ **SB** Shock bracket thickness

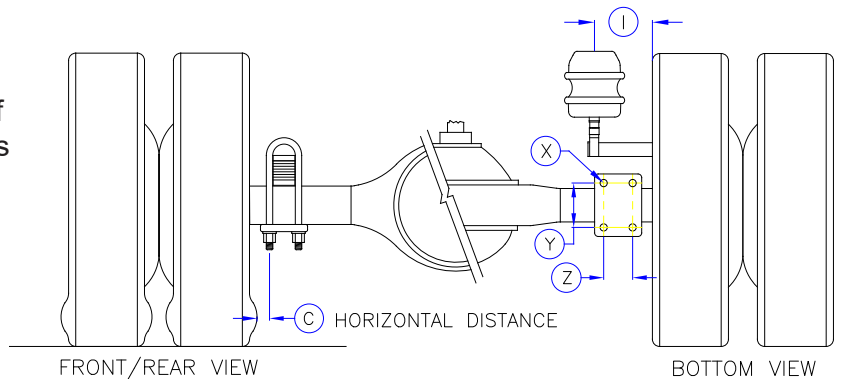
Measure BF & BB from side of u-bolt plate where the u-bolt passes through the plate



- \_\_\_\_\_ **I** Sidewall of tire to center of brake can
- \_\_\_\_\_ **L** Center of axle to closest obstruction behind axle
- \_\_\_\_\_ **C** Sidewall distance
- \_\_\_\_\_ **Y** Front to rear (center to center of U-Bolt)
- \_\_\_\_\_ **Z** Side to side (center to center of U-Bolt)



- \_\_\_\_\_ **W** Width between the U-bolt legs
- \_\_\_\_\_ **H** Height of U-bolt from the inside of the curve to the bottom of the legs
- \_\_\_\_\_ **X** U-Bolt thread size



**STANDARD: FINE / COARSE**

**METRIC: 1.5 / 2.0 / 2.5**

**Please identify your U-bolt Style:**

