



INSTA-CHAIN™
The AUTOMATIC ICECHAIN

VSI-004 - Ridewell 202 / 209

Dealer: _____
 Dir. Contact: _____
 Customer: _____
 Cust. Contact: _____
 Address: _____
 City/ State/ Zip: _____
 Phone: _____ Fax: _____
 Email: _____
 P.O.# _____

Number of Vehicles with these measurements: _____

Truck #'s or Last 8 of VIN _____

Mileage _____

Circle One:
6 Chain / 12 Chain

Circle One:
Steel / Stainless Steel

Email or Fax this completed form to place your order: sales@insta-chain.com / (801)-489-9797

VEHICLE INFORMATION - Measure EACH Axle

NOTES: Please list anything unusual about your suspension or obstructions within 36" of your axle. _____

Truck Make: _____ Truck Model: _____ Year: _____

Tire Size: _____ Axle Size: _____ Suspension Model: **202 or 209**

Do you have BAR-PIN (pictured) or THRU-PIN Mount Suspension? _____

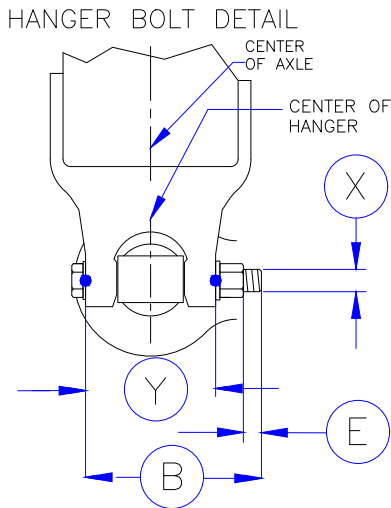


FIGURE A

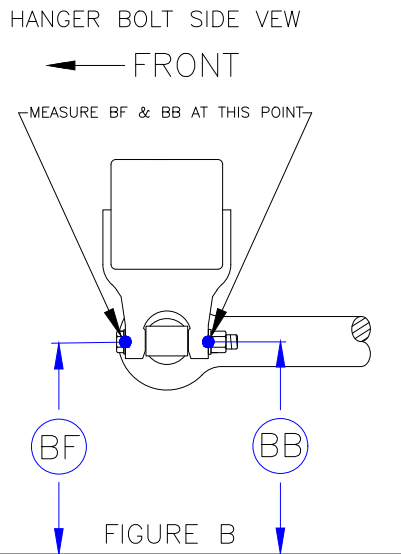


FIGURE B

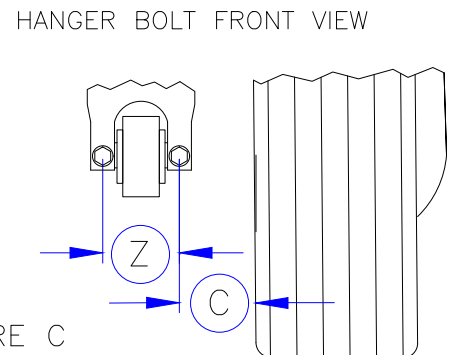


FIGURE C

_____ **B** Length of Hanger Bolt

_____ **E** Remaining thread behind the Hanger Bolt Nut

_____ **X** Hanger Bolt Size

_____ **Y** Horizontal distance BETWEEN the Head of the Hanger Bolt and the Nut (Suspension hanger)

_____ **BF** Vertical distance from CENTER of the FRONT of the Hanger Bolt to the ground (where the Bolt or Nut touches the Hanger)

_____ **BB** Vertical distance from the CENTER of the REAR of the Hanger Bolt to the ground (where the Bolt or Nut touches the Hanger)

_____ **C** Horizontal distance between the center of the outside Hanger Bolt Head and the bulge of the tire

_____ **Z** Horizontal distance between the centers of the Hanger Bolt Heads

PLEASE CALL WITH ANY QUESTIONS: 800-633-0699

BRACKET DESIGNS ARE BASED ON THE ACCURACY OF YOUR MEASUREMENTS. PLEASE BE AS EXACT AS POSSIBLE

INSTA-CHAIN RESERVES THE RIGHT TO ASSIGN THE BEST CHAIN UNIT AND BRACKET FOR THE APPLICATION