



INSTA-CHAIN™
The **AUTOMATIC ICECHAIN**

**VSI-006 -
Volvo T-Ride**

Dealer: _____
 Dealer Contact: _____
 Customer: _____
 Customer Contact: _____
 Address: _____
 City/State/Zip: _____
 Phone: _____ Fax: _____
 Email: _____
 PO#: _____

Number of Vehicles with these measurements: _____

Truck #'s or Last 8 of VIN	Mileage
_____	_____
_____	_____
_____	_____

Circle One: **Standard Chain** | **Spark Resistant Chain** | Circle One: **6 Chain** **12 Chain**

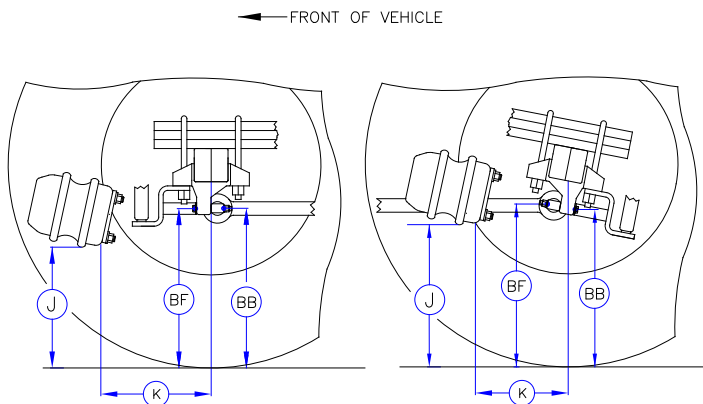
Email or Fax this completed form to place your order: sales@insta-chain.com / 801-489-9797

VEHICLE INFORMATION - Measure EACH Axle

NOTES: Please list anything unusual about your suspension or obstructions within 36" of your axle _____

Model: _____ Year: _____ Tire Size: _____

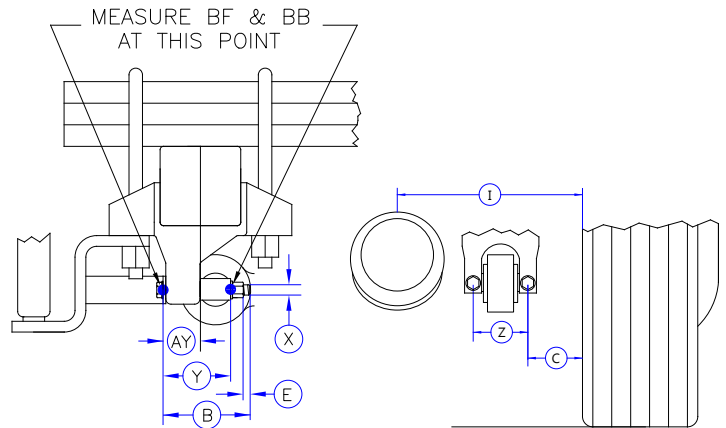
Measurements from **FRONT DRIVE** or **REAR DRIVE** Axle



- _____ **BF** Vertical distance from center of hanger bolt to ground - towards **FRONT** of vehicle
- _____ **BB** Vertical distance from center of hanger bolt to ground - towards **REAR** of vehicle
- _____ **J** Lowest part of the air can to the ground
- _____ **K** Distance of center of axle to front of air can

YES / NO Is the center of the hanger bolt in line with the center of the axle?

YES / NO Shocks behind axle?



- _____ **Y** Horizontal distance between hanger bolt head and nut
- _____ **Z** Horizontal distance between centers of hanger bolt heads
- _____ **C** Horizontal distance between centers of hanger bolt closest to tire and bulge of tire
- _____ **E** Remaining thread behind hanger bolt nut
- _____ **AY** Center of axle to head of bolt at end of spacer - Is this in Front or Behind Axle?
- _____ **I** Sidewall of tire to the center of air can
- _____ **X** Bolt diameter
- _____ **B** Overall bolt length

PLEASE CALL WITH ANY QUESTIONS: 800-633-0699

BRACKET DESIGNS ARE BASED ON THE ACCURACY OF YOUR MEASUREMENTS, PLEASE BE AS ACCURATE AS POSSIBLE.

INSTA-CHAIN RESERVES THE RIGHT TO ASSIGN THE BEST CHAIN UNIT AND BRACKET FOR THE APPLICATION.