



# INSTA-CHAIN™

The AUTOMATIC ICECHAIN

## VSI-007 - Kenworth 8 Bag

Dealer: \_\_\_\_\_  
 Dealer Contact: \_\_\_\_\_  
 Customer: \_\_\_\_\_  
 Customer Contact: \_\_\_\_\_  
 Address: \_\_\_\_\_  
 City/State/Zip: \_\_\_\_\_  
 Phone: \_\_\_\_\_ Fax: \_\_\_\_\_  
 Email: \_\_\_\_\_  
 PO#: \_\_\_\_\_

Number of Vehicles with these measurements: \_\_\_\_\_

Truck #'s or Last 8 of VIN	Mileage
_____	_____
_____	_____
_____	_____

Circle One: **Standard Chain** | **Spark Resistant Chain** | **6 Chain** | **12 Chain**

Email or Fax this completed form to place your order: [sales@insta-chain.com](mailto:sales@insta-chain.com) / 801-489-9797

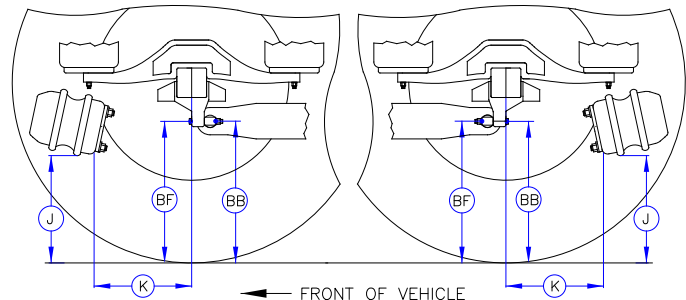
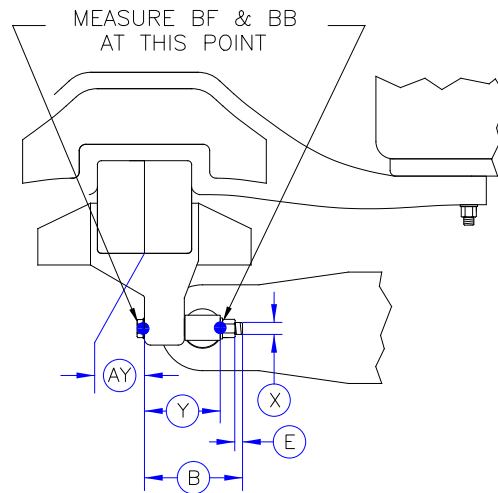
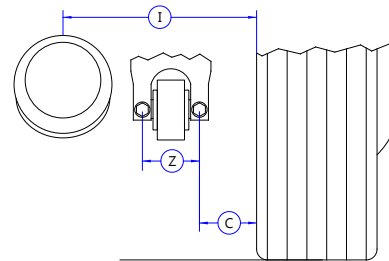
### VEHICLE INFORMATION - Measure EACH Axle

**NOTES:** Please list anything unusual about your suspension or obstructions within 36" of your axle \_\_\_\_\_

Model: \_\_\_\_\_ Year: \_\_\_\_\_ Tire Size: \_\_\_\_\_

Measurements from **FRONT DRIVE / REAR DRIVE** axle.

- \_\_\_\_\_ **C** Horizontal distance between centers of Hanger Bolt closest to tire and bulge of tire
- \_\_\_\_\_ **Z** Horizontal distance between centers of Hanger Bolt heads
- \_\_\_\_\_ **I** Sidewall of tire to the center of Brake Can
- \_\_\_\_\_ **E** Remaining thread behind Hanger Bolt Nut
- \_\_\_\_\_ **AY** Center of axle to head of bolt and end of spacer - Is this in FRONT or BEHIND axle?
- \_\_\_\_\_ **Y** Horizontal distance between Hanger Bolt head and Nut
- \_\_\_\_\_ **X** Bolt Diameter
- \_\_\_\_\_ **B** Bolt Length
- \_\_\_\_\_ **BF** Vertical distance from center of Hanger Bolt to ground - towards FRONT of Vehicle
- \_\_\_\_\_ **BB** Vertical distance from center of Hanger Bolt to ground - towards REAR of Vehicle
- \_\_\_\_\_ **J** Lowest part of the Air Brake Can Assembly to the ground
- \_\_\_\_\_ **K** Center of the axle to the nearest point of the Brake Can assembly



PLEASE CALL WITH ANY QUESTIONS: 800-633-0699

BRACKET DESIGNS ARE BASED ON THE ACCURACY OF YOUR MEASUREMENTS, PLEASE BE AS ACCURATE AS POSSIBLE.

INSTA-CHAIN RESERVES THE RIGHT TO ASSIGN THE BEST CHAIN UNIT AND BRACKET FOR THE APPLICATION.