



INSTA-CHAIN™

The AUTOMATIC ICECHAIN

VSI-008 Trailer - Spring Suspension

Dealer: _____
Dealer Contact: _____
Customer: _____
Customer Contact: _____
Address: _____
City/State/Zip: _____
Phone: _____ Fax: _____
Email: _____
PO#: _____

Number of Vehicles with these measurements: _____

Truck #'s or Last 8 of VIN	Mileage
_____	_____
_____	_____
_____	_____

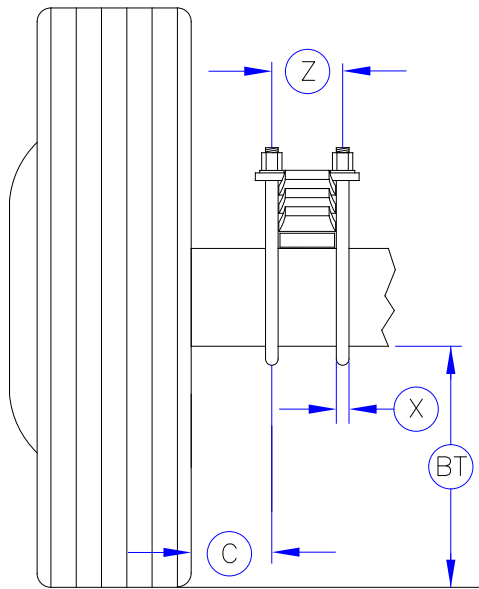
Circle One:		Circle One:	
Standard Chain	Spark Resistant Chain	6 Chain	12 Chain

Email or Fax this completed form to place your order: sales@insta-chain.com / 801-489-9797

VEHICLE INFORMATION - Measure EACH Axle

NOTES: Please list anything unusual about your suspension or obstructions within 36" of your axle _____

FOR TRAILERS WITH SPRING SUSPENSION ONLY



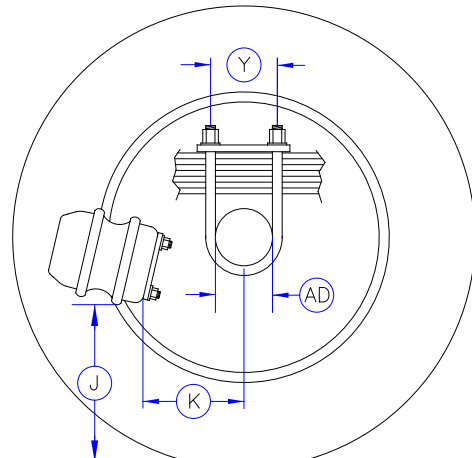
Suspension Make: _____

Suspension Model: _____

Tire Size: _____

Brake can location: **FRONT or REAR**

- _____ **BT** Measurement from the bottom of Axle to ground
- _____ **Z** Measurement between U-Bolts - Sidways center of bolt to center of bolt
- _____ **C** Measurement from center of outside U-Bolt to the bulge of tire (to do this drop a plumb-line down from the center of U-Bolt, then measure straight across horizontally)
- _____ **X** Bolt diameter
- _____ **AD** Diameter of axle
- _____ **Y** Measurement of U-Bolt center to center, from front to back
- _____ **J** Measurement from bottom of air can assembly to ground (if applicable)
- _____ **K** Measurement from center of axle to nearest point of brake can (if applicable)



PLEASE CALL WITH ANY QUESTIONS: 800-633-0699

BRACKET DESIGNS ARE BASED ON THE ACCURACY OF YOUR MEASUREMENTS, PLEASE BE AS ACCURATE AS POSSIBLE.

INSTA-CHAIN RESERVES THE RIGHT TO ASSIGN THE BEST CHAIN UNIT AND BRACKET FOR THE APPLICATION.