



# INSTA-CHAIN™

The AUTOMATIC ICECHAIN

## VSI-009 - Trailer Air-Ride Suspension

Dealer: \_\_\_\_\_  
Dealer Contact: \_\_\_\_\_  
Customer: \_\_\_\_\_  
Customer Contact: \_\_\_\_\_  
Address: \_\_\_\_\_  
City/State/Zip: \_\_\_\_\_  
Phone: \_\_\_\_\_ Fax: \_\_\_\_\_  
Email: \_\_\_\_\_  
PO#: \_\_\_\_\_

Number of Vehicles with these measurements: \_\_\_\_\_

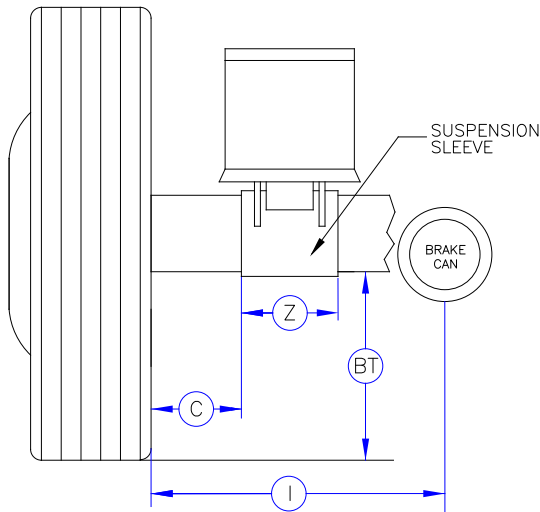
Truck #'s or Last 8 of VIN	Mileage
_____	_____
_____	_____
_____	_____

Circle One: **Standard Chain** | **Spark Resistant Chain** | Circle One: **6 Chain** **12 Chain**

Email or Fax this completed form to place your order: [sales@insta-chain.com](mailto:sales@insta-chain.com) / 801-489-9797

### VEHICLE INFORMATION - Measure EACH Axle

**NOTES:** Please list anything unusual about your suspension or obstructions within 36" of your axle \_\_\_\_\_



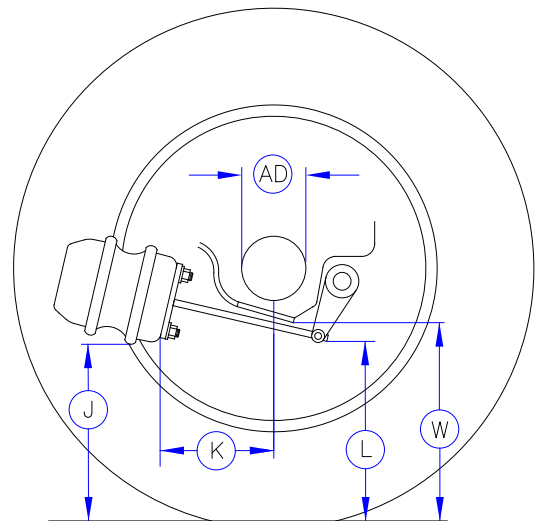
Suspension Make: \_\_\_\_\_

Suspension Model: \_\_\_\_\_

Tire Size: \_\_\_\_\_

Brake can location: **FRONT** or **REAR**

- \_\_\_\_\_ **BT** From bottom of axle to ground
- \_\_\_\_\_ **Z** Measurement of the SLEEVE that is between the suspension beam and the axle
- \_\_\_\_\_ **C** Measurement from tire side of the sleeve to the bulge of tire (to do this drop a plumb-line down from edge of the sleeve, then measure straight across horizontally)
- \_\_\_\_\_ **I** Measurement from the brake caliper arm to the side wall of the tire
- \_\_\_\_\_ **AD** Diameter of axle
- \_\_\_\_\_ **J** Measurement from bottom of air can assembly to ground
- \_\_\_\_\_ **K** Measurement from center of axle to nearest point of brake can
- \_\_\_\_\_ **L** Bottom of brake caliper arm to the ground
- \_\_\_\_\_ **W** Measurement bottom of Air-Ride plate under the axle to the ground (Measure from the center of the plate)



PLEASE CALL WITH ANY QUESTIONS: 800-633-0699

BRACKET DESIGNS ARE BASED ON THE ACCURACY OF YOUR MEASUREMENTS, PLEASE BE AS ACCURATE AS POSSIBLE.

INSTA-CHAIN RESERVES THE RIGHT TO ASSIGN THE BEST CHAIN UNIT AND BRACKET FOR THE APPLICATION.