



INSTA-CHAIN™
The **AUTOMATIC ICECHAIN**

VSI-010
Trailer - Neway Suspension

Dealer: _____
 Dealer Contact: _____
 Customer: _____
 Customer Contact: _____
 Address: _____
 City/State/Zip: _____
 Phone: _____ Fax: _____
 Email: _____
 PO#: _____

Number of Vehicles with these measurements: _____

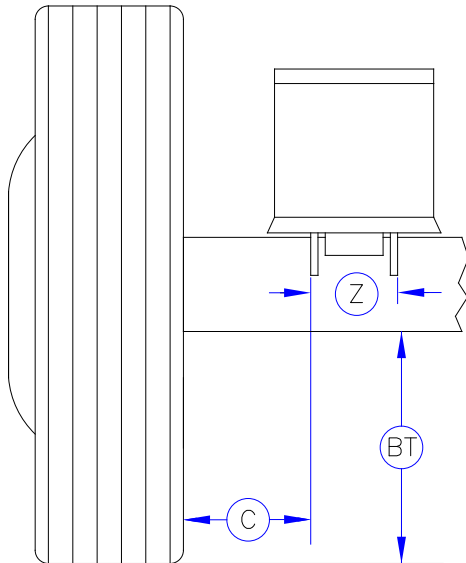
Truck #'s or Last 8 of VIN	Mileage
_____	_____
_____	_____
_____	_____

Circle One: **Standard Chain** | **Spark Resistant Chain** | Circle One: **6 Chain** **12 Chain**

Email or Fax this completed form to place your order: sales@insta-chain.com / 801-489-9797

VEHICLE INFORMATION - Measure EACH Axle

NOTES: Please list anything unusual about your suspension or obstructions within 36" of your axle _____



Suspension Make: _____

Suspension Model: _____

Tire Size: _____

Brake can location: **FRONT or REAR**

_____ **BT** Measurement from the bottom of axle to ground

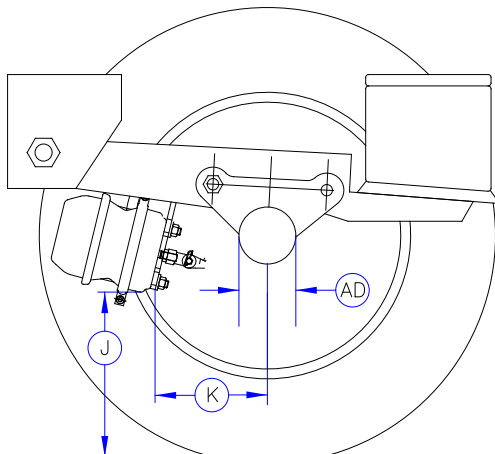
_____ **Z** Measurement between sleeve - side-ways center of bolt to center of bolt

_____ **C** Measurement from outside edge of suspension bracket, where it attaches to the axle, to the bulge of the tire (to do this drop a plumb-line down from the center of U-Bolt, then measure straight across horizontally)

_____ **AD** Diameter of axle

_____ **J** Measurement from bottom of air can assembly to ground (if applicable)

_____ **K** Measurement from center of axle to nearest point of brake can (if applicable)



PLEASE CALL WITH ANY QUESTIONS: 800-633-0699

BRACKET DESIGNS ARE BASED ON THE ACCURACY OF YOUR MEASUREMENTS, PLEASE BE AS ACCURATE AS POSSIBLE.

INSTA-CHAIN RESERVES THE RIGHT TO ASSIGN THE BEST CHAIN UNIT AND BRACKET FOR THE APPLICATION.