



INSTA-CHAIN™
The AUTOMATIC ICECHAIN

VSI-011 - Mack Camelback

Dealer: _____
 Dealer Contact: _____
 Customer: _____
 Customer Contact: _____
 Address: _____
 City/State/Zip: _____
 Phone: _____ Fax: _____
 Email: _____
 PO#: _____

Number of Vehicles with these measurements: _____

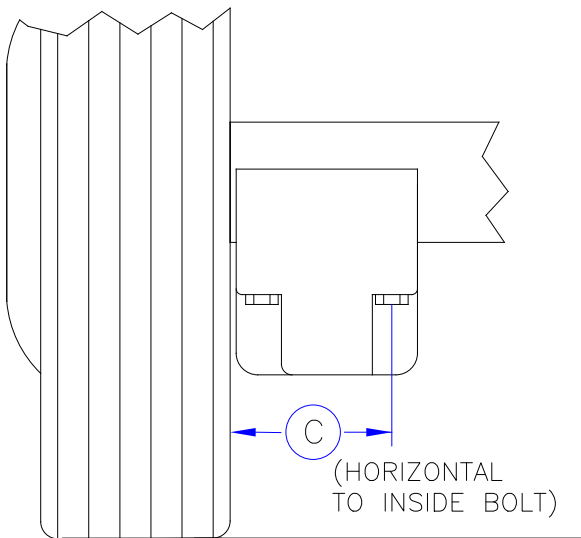
Truck #'s or Last 8 of VIN	Mileage
_____	_____
_____	_____
_____	_____

Circle One:		Circle One:	
Standard Chain	Spark Resistant Chain	6 Chain	12 Chain

Email or Fax this completed form to place your order: sales@insta-chain.com / 801-489-9797

VEHICLE INFORMATION - Measure EACH Axle

NOTES: Please list anything unusual about your suspension or obstructions within 36" of your axle _____



Vehicle Model: _____

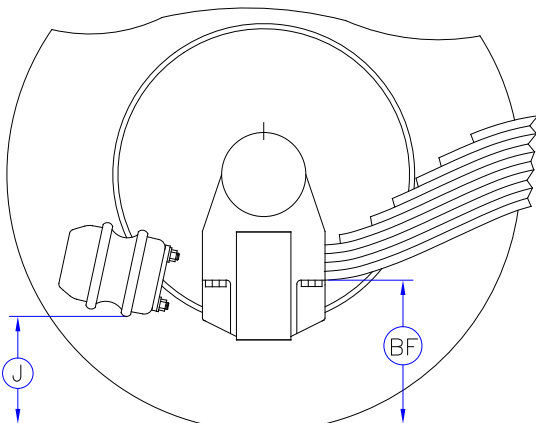
Vehicle Year: _____

Tire Size: _____

Measuring: **FRONT DRIVE / REAR DRIVE AXLE**

Are there any obstructions within 34" of the forward axle? **YES / NO**

Distance from the obstruction to the center of the axle: _____



_____ **C** Horizontal distance between the bulge of the tire and the center to the suspension mounting bolt farthest from the tire (in board bolt)

_____ **BF** Vertical distance between where the mounting bolt touches the suspension to the ground

_____ **J** Lowest Part of the Brake Can assembly to the ground

PLEASE CALL WITH ANY QUESTIONS: 800-633-0699

BRACKET DESIGNS ARE BASED ON THE ACCURACY OF YOUR MEASUREMENTS, PLEASE BE AS ACCURATE AS POSSIBLE.

INSTA-CHAIN RESERVES THE RIGHT TO ASSIGN THE BEST CHAIN UNIT AND BRACKET FOR THE APPLICATION.