



INSTA-CHAIN™
The **AUTOMATIC ICECHAIN**

VSI-012 - Brake Can Measurements

Dealer: _____
 Dealer Contact: _____
 Customer: _____
 Customer Contact: _____
 Address: _____
 City/State/Zip: _____
 Phone: _____ Fax: _____
 Email: _____
 PO#: _____

Number of Vehicles with these measurements: _____

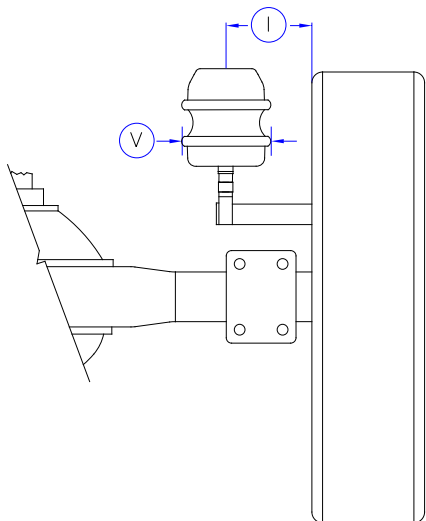
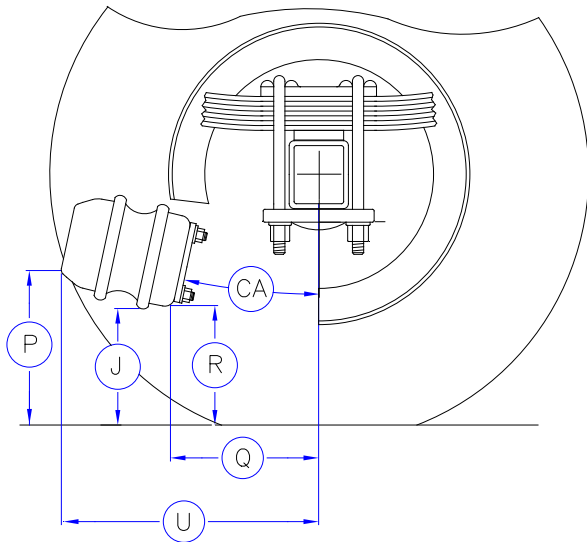
Truck #'s or Last 8 of VIN	Mileage
_____	_____
_____	_____
_____	_____

Circle One: Standard Chain	Circle One: Spark Resistant Chain	Circle One: 6 Chain	Circle One: 12 Chain
--------------------------------------	---	-------------------------------	--------------------------------

Email or Fax this completed form to place your order: sales@insta-chain.com / 801-489-9797

VEHICLE INFORMATION - Measure EACH Axle

NOTES: Please list anything unusual about your suspension or obstructions within 36" of your axle _____



- _____ **P** Vertical distance of air can to ground at the furthest point away from center line of axle.
- _____ **J** Vertical distance from ground to lowest part of brake can
- _____ **R** Vertical distance from ground to nearest corner of brake can
- _____ **Q** Horizontal distance from center of axle to nearest corner of brake can
- _____ **U** Horizontal distance from center of axle to farthest corner of brake can
- _____ **CA** Brake Can Angle (if angle finder is available)
- _____ **I** Horizontal distance from center brake can to inside edge axle
- _____ **V** Diameter of brake can

PLEASE CALL WITH ANY QUESTIONS: 800-633-0699

BRACKET DESIGNS ARE BASED ON THE ACCURACY OF YOUR MEASUREMENTS, PLEASE BE AS ACCURATE AS POSSIBLE.

INSTA-CHAIN RESERVES THE RIGHT TO ASSIGN THE BEST CHAIN UNIT AND BRACKET FOR THE APPLICATION.