



INSTA-CHAIN™

The AUTOMATIC ICECHAIN

VSI-015 Ottawa / Capacity Rigid

Dealer: _____
 Dealer Contact: _____
 Customer: _____
 Customer Contact: _____
 Address: _____
 City/State/Zip: _____
 Phone: _____ Fax: _____
 Email: _____
 PO#: _____

Number of Vehicles with these measurements: _____

Truck #'s or Last 8 of VIN	Mileage
_____	_____
_____	_____
_____	_____

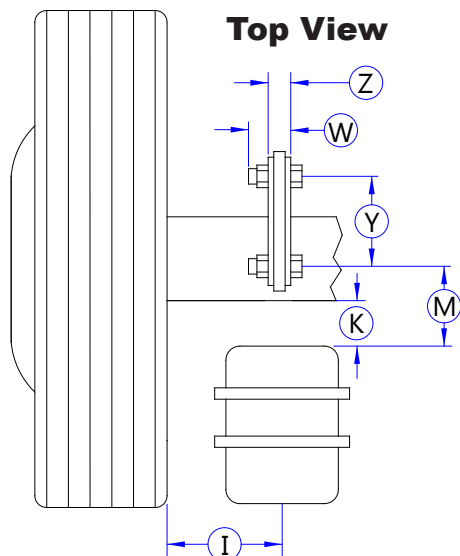
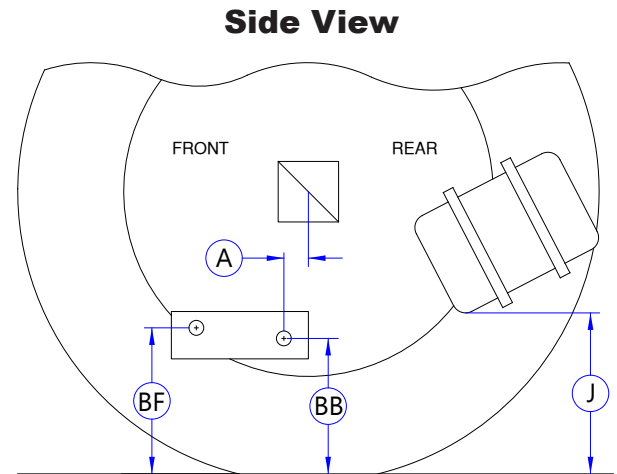
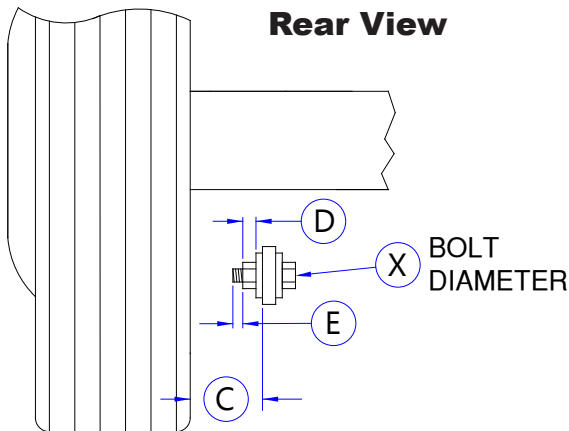
Circle One: Standard Chain Spark Resistant Chain	Circle One: 6 Chain 12 Chain
--	--

Email or Fax this completed form to place your order: sales@insta-chain.com / 801-489-9797

VEHICLE INFORMATION - Measure EACH Axle

NOTES: Please list anything unusual about your suspension or obstructions within 36" of your axle _____

Vehicle Make: _____ Year: _____



- | | |
|---------------------------------|-----------------|
| _____ C | _____ A |
| _____ D Thickness of Nut | _____ BB |
| _____ E Remaining Thread | _____ BF |
| _____ X Bolt Diameter | _____ J |
| _____ I | _____ W |
| _____ K | _____ Y |
| _____ M | _____ Z |

PLEASE CALL WITH ANY QUESTIONS: 800-633-0699

BRACKET DESIGNS ARE BASED ON THE ACCURACY OF YOUR MEASUREMENTS, PLEASE BE AS ACCURATE AS POSSIBLE.

INSTA-CHAIN RESERVES THE RIGHT TO ASSIGN THE BEST CHAIN UNIT AND BRACKET FOR THE APPLICATION.