



INSTA-CHAIN™
The AUTOMATIC ICECHAIN

VSI-016 - MCI / Meritor Axle

Dealer: _____
 Dealer Contact: _____
 Customer: _____
 Customer Contact: _____
 Address: _____
 City/State/Zip: _____
 Phone: _____ Fax: _____
 Email: _____
 PO#: _____

Number of Vehicles with these measurements: _____

Truck #'s or Last 8 of VIN	Mileage
_____	_____
_____	_____
_____	_____

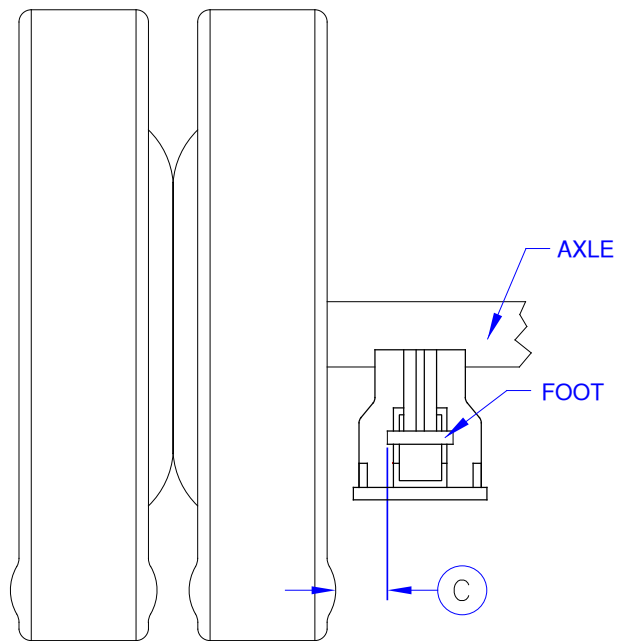
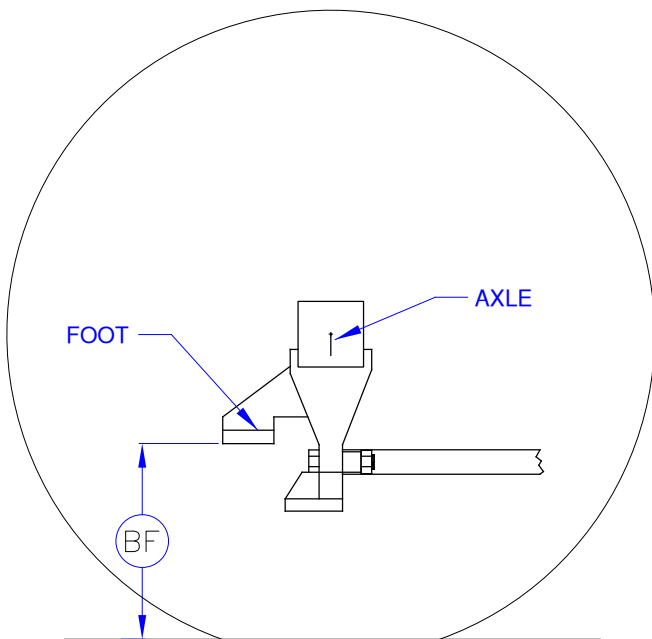
Circle One: Standard Chain	Circle One: Spark Resistant Chain	Circle One: 6 Chain	Circle One: 12 Chain
--------------------------------------	---	-------------------------------	--------------------------------

Email or Fax this completed form to place your order: sales@insta-chain.com / 801-489-9797

VEHICLE INFORMATION - Measure EACH Axle

NOTES: Please list anything unusual about your suspension or obstructions within 36" of your axle _____

Model: _____ Year: _____ Tire Size: _____



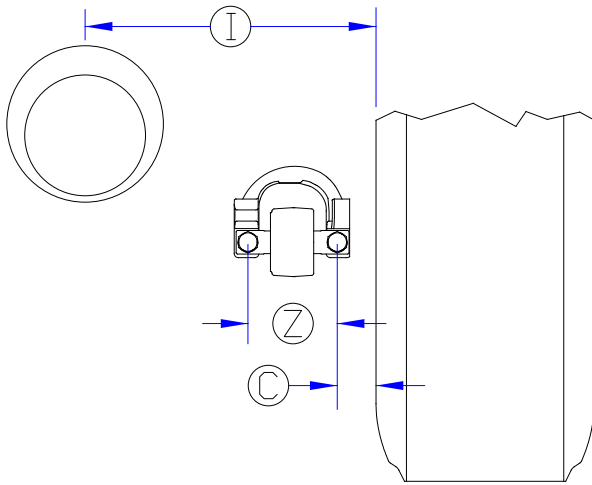
_____ **BF** Distance from the Bottom of the Jack Stand

_____ **C** Distance from Sidewall of Tire to Tire Side of Jack Stand base

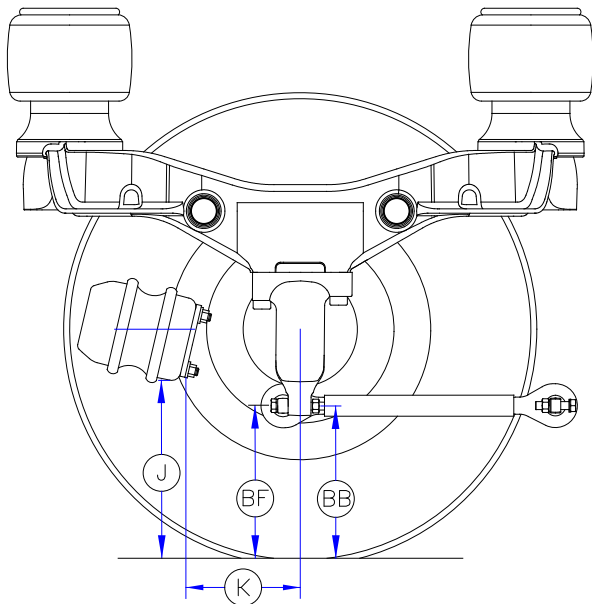
PLEASE CALL WITH ANY QUESTIONS: 800-633-0699

BRACKET DESIGNS ARE BASED ON THE ACCURACY OF YOUR MEASUREMENTS, PLEASE BE AS ACCURATE AS POSSIBLE.

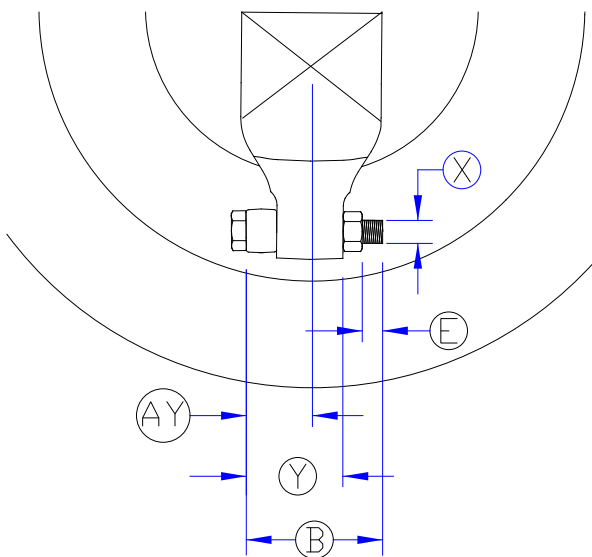
INSTA-CHAIN RESERVES THE RIGHT TO ASSIGN THE BEST CHAIN UNIT AND BRACKET FOR THE APPLICATION.



- _____ **C** Horizontal distance between centers of Hanger Bolt closest to tire and bulge of tire
- _____ **Z** Horizontal distance between centers of hanger bolt heads
- _____ **I** Sidewall of tire to the center of brake can



- _____ **BF** Vertical distance from center of hanger bolt to ground - towards FRONT of vehicle
- _____ **BB** Vertical distance from center of hanger bolt to ground - towards REAR of vehicle
- _____ **J** Lowest part of the brake can assembly to the ground
- _____ **K** Center of the axle to the nearest point of the brake can assembly



- _____ **E** Remaining thread behind hanger bolt nut
- _____ **AY** Center of axle to head of bolt and end of spacer - Is this in FRONT or BEHIND axle?
- _____ **Y** Horizontal distance between hanger bolt head and nut
- _____ **X** Bolt diameter
- _____ **B** Bolt length