



INSTA-CHAIN™

The AUTOMATIC ICECHAIN

VSI-018 - FL Tufftrac Measurements

Dealer: _____
 Dealer Contact: _____
 Customer: _____
 Customer Contact: _____
 Address: _____
 City/State/Zip: _____
 Phone: _____ Fax: _____
 Email: _____
 PO#: _____

Number of Vehicles with these measurements: _____

Truck #'s or Last 8 of VIN	Mileage
_____	_____
_____	_____
_____	_____

Circle One: **Standard Chain** **Spark Resistant Chain** **6 Chain** **12 Chain**

Email or Fax this completed form to place your order: sales@insta-chain.com / 801-489-9797

VEHICLE INFORMATION - Measure EACH Axle

NOTES: Please list anything unusual about your suspension or obstructions within 36" of your axle _____

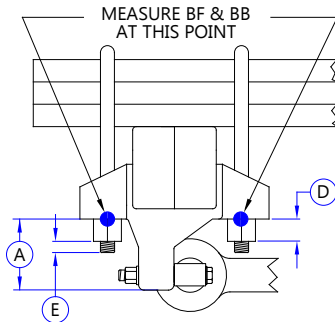
Model: _____ Year: _____

Axle Make: _____ Capacity: _____

Tire Size: _____ Brake Style: **DISC** or **S-CAM**

Chassis is: **BARE** or **LOADED** Offset Pumpkin: **YES** / **NO**

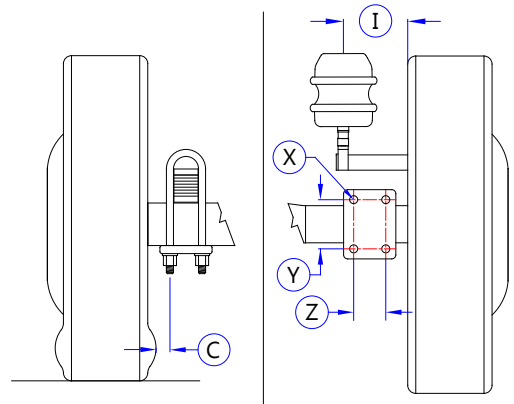
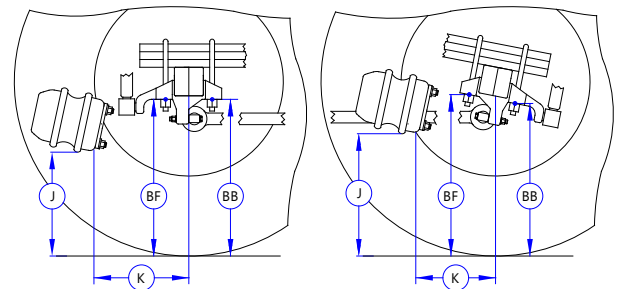
Measurements are from **FRONT DRIVE** or **REAR DRIVE** tandem



- _____ **A** Depth of U-bolt plate assembly
- _____ **D** Thickness of U-Bolt nut
- _____ **E** Remaining U-Bolt thread
- _____ **BF** Height of front
- _____ **BB** Height of back
- _____ **J** Lowest part of brake can assembly to ground
- _____ **K** Center of axle to nearest point of brake can
- _____ **Y** Front to rear (center to center of U-Bolt)
- _____ **Z** Side to side (center to center of U-Bolt)
- _____ **I** Sidewall of tire to center of brake can
- _____ **M** Distance from center line of axle to closest obstruction behind rear axle
- _____ **C** Sidewall distance
- _____ **X** Bolt diameter

STANDARD: FINE / COARSE

METRIC: 1.5 / 2.0 / 2.5



PLEASE CALL WITH ANY QUESTIONS: 800-633-0699

BRACKET DESIGNS ARE BASED ON THE ACCURACY OF YOUR MEASUREMENTS, PLEASE BE AS ACCURATE AS POSSIBLE.

INSTA-CHAIN RESERVES THE RIGHT TO ASSIGN THE BEST CHAIN UNIT AND BRACKET FOR THE APPLICATION.