



INSTA-CHAIN™
The **AUTOMATIC ICECHAIN**

VSI-019 - Newway Suspension Measurements

Dealer: _____
 Dealer Contact: _____
 Customer: _____
 Customer Contact: _____
 Address: _____
 City/State/Zip: _____
 Phone: _____ Fax: _____
 Email: _____
 PO#: _____

Number of Vehicles with these measurements: _____

Truck #'s or Last 8 of VIN	Mileage
_____	_____
_____	_____
_____	_____

Circle One: Standard Chain Spark Resistant Chain	Circle One: 6 Chain 12 Chain
---	---

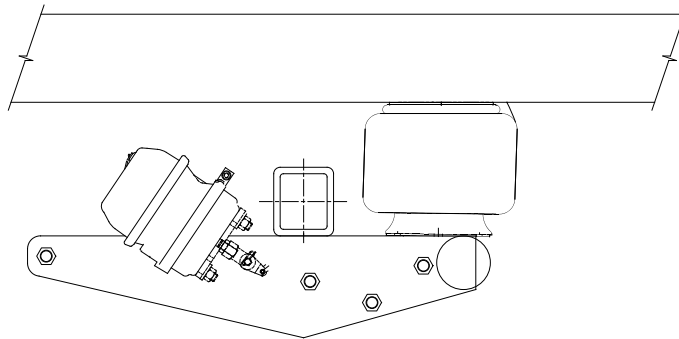
Email or Fax this completed form to place your order: sales@insta-chain.com / 801-489-9797

VEHICLE INFORMATION - Measure EACH Axle

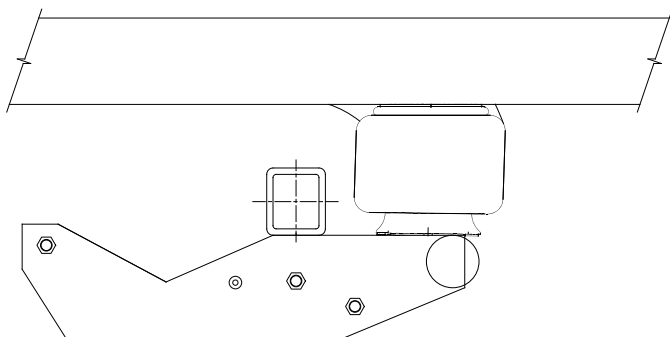
NOTES: Please list anything unusual about your suspension or obstructions within 36" of your axle _____

Identify the beam on your suspension

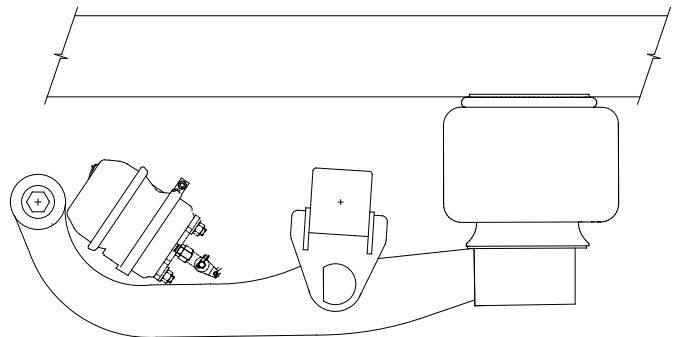
ADLSD - SIDE VIEW



ADL - SIDE VIEW



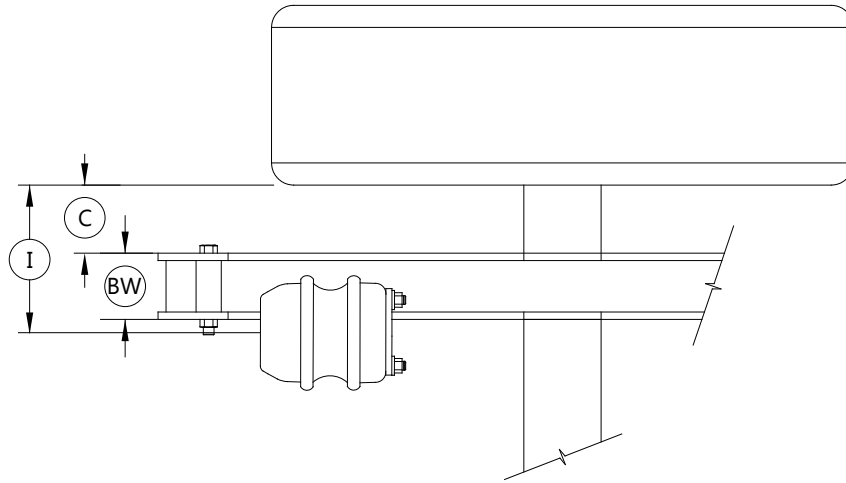
AD SERIES - SIDE VIEW



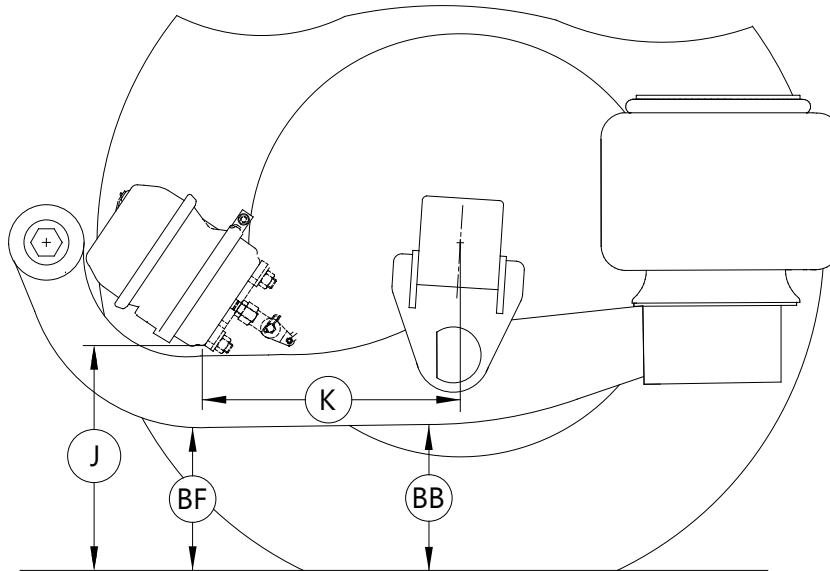
PLEASE CALL WITH ANY QUESTIONS: 800-633-0699

BRACKET DESIGNS ARE BASED ON THE ACCURACY OF YOUR MEASUREMENTS, PLEASE BE AS ACCURATE AS POSSIBLE.

INSTA-CHAIN RESERVES THE RIGHT TO ASSIGN THE BEST CHAIN UNIT AND BRACKET FOR THE APPLICATION.



← FRONT OF VEHICLE



- _____ **BF** Front of beam to ground
- _____ **BB** Beam to ground under axle
- _____ **BW** Beam width
- _____ **C** Side wall of tire to the outside of beam
- _____ **I** Side wall of tire to center of brake can
- _____ **J** Ground to lowest point of brake can
- _____ **K** Centerline of axle to nearest point of brake can