



INSTA-CHAIN™

The AUTOMATIC ICECHAIN

VSI-020 - GILLIG Low Floor & High Floor Bus

Dealer: _____
 Dealer Contact: _____
 Customer: _____
 Customer Contact: _____
 Address: _____
 City/State/Zip: _____
 Phone: _____ Fax: _____
 Email: _____
 PO#: _____

Number of Vehicles with these measurements: _____

Truck #'s or Last 8 of VIN	Mileage
_____	_____
_____	_____
_____	_____

Circle One: Standard Chain	Circle One: Spark Resistant Chain	Circle One: 6 Chain 12 Chain
--------------------------------------	---	--

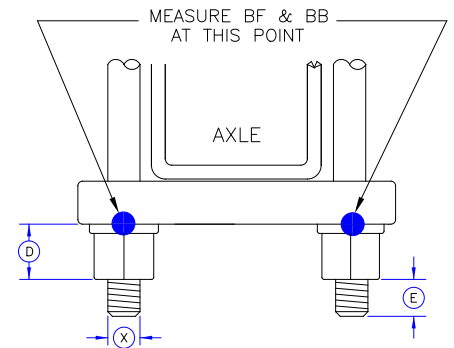
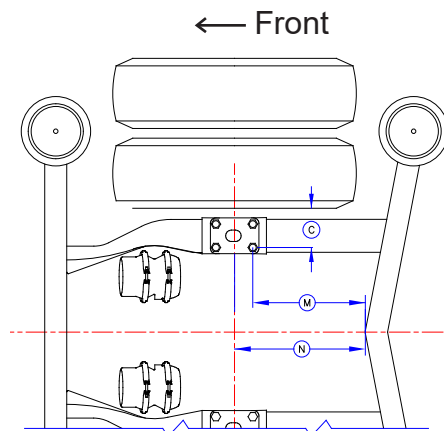
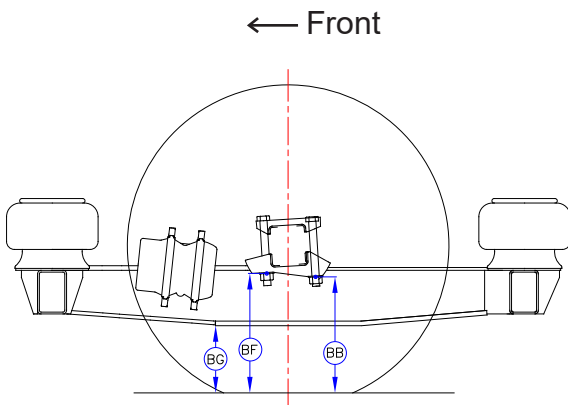
Email or Fax this completed form to place your order: sales@insta-chain.com / 801-489-9797

VEHICLE INFORMATION - Measure EACH Axle

NOTES: Please list anything unusual about your suspension or obstructions within 36" of your axle _____

Gillig **LOW FLOOR** or **HIGH FLOOR** bus Tire Size: _____

Width of Bus: **96"** or **102"** Length of Bus: _____



_____ **BF** Height of front bolt
 _____ **BB** Height of rear bolt
 _____ **BG** Height of beam to ground

_____ **C** Side wall of tire to center of inboard bolt
 _____ **M** Center of closest bolt to the nearest point of rear cross beam
 _____ **N** Centerline of axle to the nearest point of rear cross beam

_____ **D** Thickness of nut
 _____ **E** Remaining thread
 _____ **X** Bolt diameter

STANDARD: FINE / COARSE

METRIC: 1.5 / 2.0 / 2.5

PLEASE CALL WITH ANY QUESTIONS: 800-633-0699

BRACKET DESIGNS ARE BASED ON THE ACCURACY OF YOUR MEASUREMENTS, PLEASE BE AS ACCURATE AS POSSIBLE.

INSTA-CHAIN RESERVES THE RIGHT TO ASSIGN THE BEST CHAIN UNIT AND BRACKET FOR THE APPLICATION.