



# INSTA-CHAIN™

The AUTOMATIC ICECHAIN

## VSI-021 - Peterbilt Flex-Air Kenworth AG380

Dealer: \_\_\_\_\_  
Dealer Contact: \_\_\_\_\_  
Customer: \_\_\_\_\_  
Customer Contact: \_\_\_\_\_  
Address: \_\_\_\_\_  
City/State/Zip: \_\_\_\_\_  
Phone: \_\_\_\_\_ Fax: \_\_\_\_\_  
Email: \_\_\_\_\_  
PO#: \_\_\_\_\_

Number of Vehicles with these measurements: \_\_\_\_\_

Truck #'s or Last 8 of VIN	Mileage
_____	_____
_____	_____
_____	_____

<i>Circle One:</i>		<i>Circle One:</i>	
<b>Standard Chain</b>	<b>Spark Resistant Chain</b>	<b>6 Chain</b>	<b>12 Chain</b>

Email or Fax this completed form to place your order: [sales@insta-chain.com](mailto:sales@insta-chain.com) / 801-489-9797

### VEHICLE INFORMATION - Measure EACH Axle

**NOTES:** Please list anything unusual about your suspension or obstructions within 36" of your axle \_\_\_\_\_

Chassis Make: \_\_\_\_\_ Model: \_\_\_\_\_ Year: \_\_\_\_\_

Axle Make: \_\_\_\_\_ Capacity: \_\_\_\_\_

Tire Size: \_\_\_\_\_

Measurements are from **FRONT DRIVE** or **REAR DRIVE** tandem

Chassis is: **BARE** or **LOADED**

Brake Style: **DISC** or **S-CAM**

Offset Pumpkin: **YES / NO**

PLEASE CALL WITH ANY QUESTIONS: 800-633-0699

BRACKET DESIGNS ARE BASED ON THE ACCURACY OF YOUR MEASUREMENTS, PLEASE BE AS ACCURATE AS POSSIBLE.

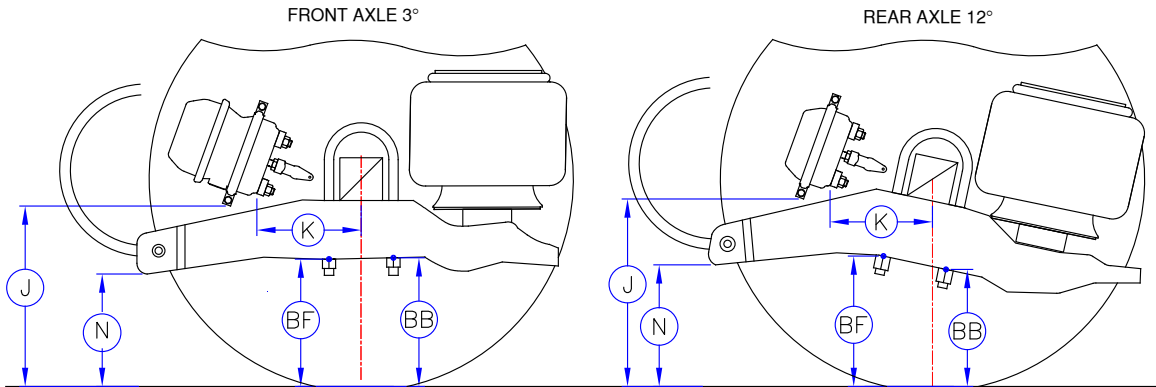
INSTA-CHAIN RESERVES THE RIGHT TO ASSIGN THE BEST CHAIN UNIT AND BRACKET FOR THE APPLICATION.



# INSTA-CHAIN™

The AUTOMATIC ICECHAIN

## VSI-021 - Peterbilt Flex-Air Kenworth AG380



\_\_\_\_\_ **BF** Height of front

\_\_\_\_\_ **K** Center of axle to nearest point of brake can

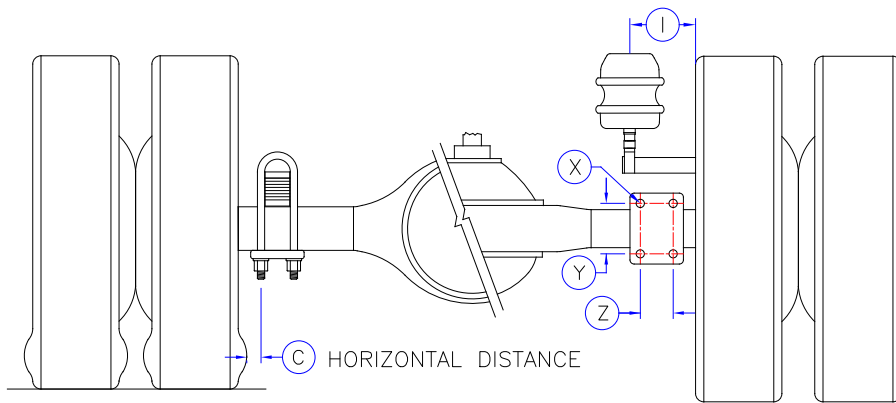
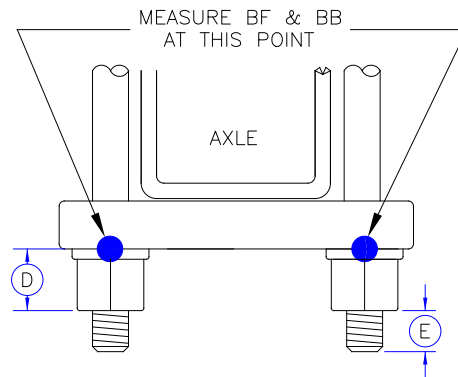
\_\_\_\_\_ **BB** Height of back

\_\_\_\_\_ **N** Distance from the bottom of the suspension joint to the ground at the front of the suspension beam

\_\_\_\_\_ **J** Lowest part of brake can assembly to ground

\_\_\_\_\_ **D** Thickness of U-Bolt nut

\_\_\_\_\_ **E** Remaining U-Bolt thread



\_\_\_\_\_ **C** Sidewall distance

\_\_\_\_\_ **Z** Side to side (center to center U-Bolt)

\_\_\_\_\_ **I** Sidewall of tire to center of brake can

\_\_\_\_\_ **X** U-Bolt Diameter

\_\_\_\_\_ **Y** Front to rear (center to center U-Bolt)

**Metric / Standard - (Metric is most common)**