



INSTA-CHAIN™

The AUTOMATIC ICECHAIN

VSI-014 -Spring & Air-Ride w/ Sway & Fuel Tank

Dealer: _____
Dealer Contact: _____
Customer: _____
Customer Contact: _____
Address: _____
City/State/Zip: _____
Phone: _____ Fax: _____
Email: _____
PO#: _____

Number of Vehicles with these measurements: _____

Truck #'s or Last 8 of VIN

Mileage

_____	_____
_____	_____
_____	_____

Circle One: **Standard Chain** **Spark Resistant Chain** | Circle One: **6 Chain** **12 Chain**

Email or Fax this completed form to place your order: sales@insta-chain.com / 801-489-9797

VEHICLE INFORMATION - Measure EACH Axle

NOTES: Please list anything unusual about your suspension or obstructions within 36" of your axle _____

Chassis Make: _____ Model: _____ Year: _____

Axle Make: _____ Capacity: _____

Suspension Make: _____

Suspension Models (circle one): **SPRING** **AIR-RIDE** **LIQUID SPRING**
LINK **OTHER**

Torsion / Sway-bar: **IN FRONT** of axle or **BEHIND** axle or **N/A**

Tire Size: _____

Chassis is: **BARE** or **LOADED**

GAS POWER or **DIESEL POWER**

Is there a drive line E-Brake? **YES / NO**

Shocks: **IN FRONT** of axle or **BEHIND** axle or **N/A**

PLEASE CALL WITH ANY QUESTIONS: 800-633-0699

BRACKET DESIGNS ARE BASED ON THE ACCURACY OF YOUR MEASUREMENTS, PLEASE BE AS ACCURATE AS POSSIBLE.

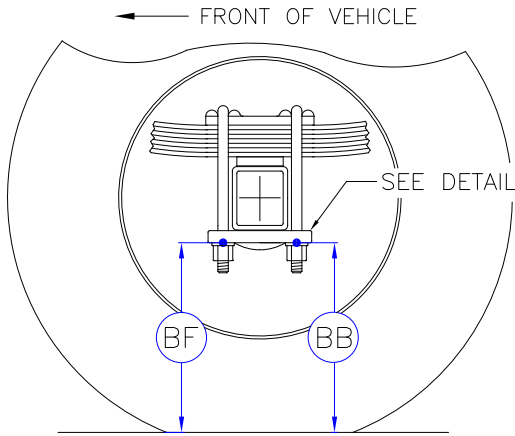
INSTA-CHAIN RESERVES THE RIGHT TO ASSIGN THE BEST CHAIN UNIT AND BRACKET FOR THE APPLICATION.



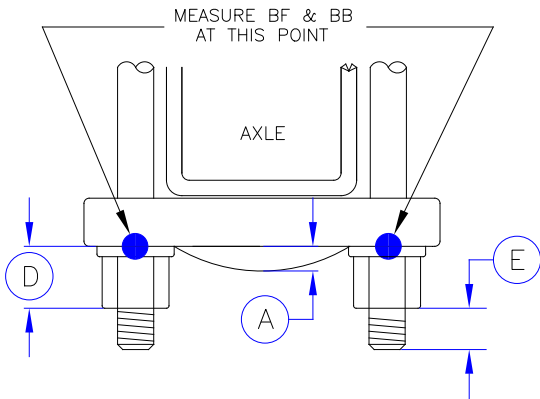
INSTA-CHAIN™

The AUTOMATIC ICECHAIN

VSI-014 -Spring & Air-Ride w/ Sway & Fuel Tank

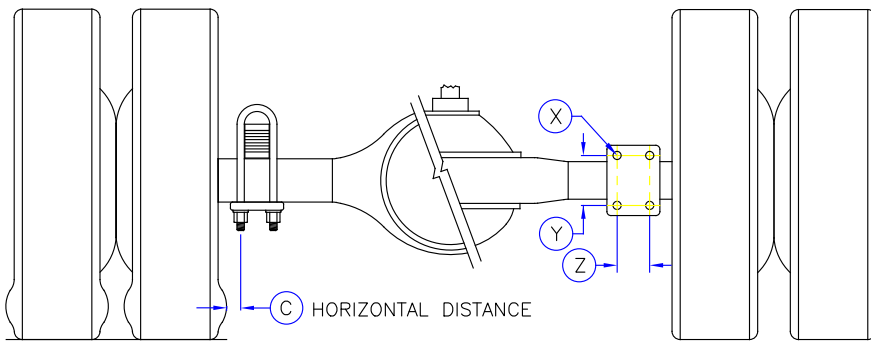


- _____ **BF** Height of Front
- _____ **BB** Height of Back
- _____ **A** Depth of round
(bump on bottom of U-Bolt Plate)
- _____ **D** Thickness of U-Bolt nut
- _____ **E** Remaining U-Bolt thread
- _____ **C** Sidewall Distance



- _____ **X** Bolt Diameter - **see note**
- _____ **STANDARD: FINE / COARSE**
- _____ **METRIC: 1.5 / 2.0 / 2.5**
- _____ **Y** Front to Rear (center to center of U-Bolt)
- _____ **Z** Side to Side (center to center of U-Bolt)
- _____ **M** Distance to closest obstruction behind axle

Fuel tank location: **IN FRONT** or **BEHIND** axle



Note: If a bus has a wheelchair lift added, U-bolts may differ from side to side. Please measure BOTH sides.

Indicate the sway bar: **F** or **R**

Indicate components 1, 2, and 3 if equipped

1 _____	XL _____	XR _____
2 _____	YL _____	YR _____
3 _____	CL _____	

